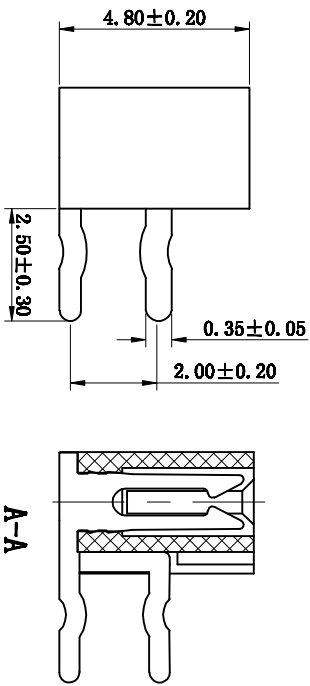
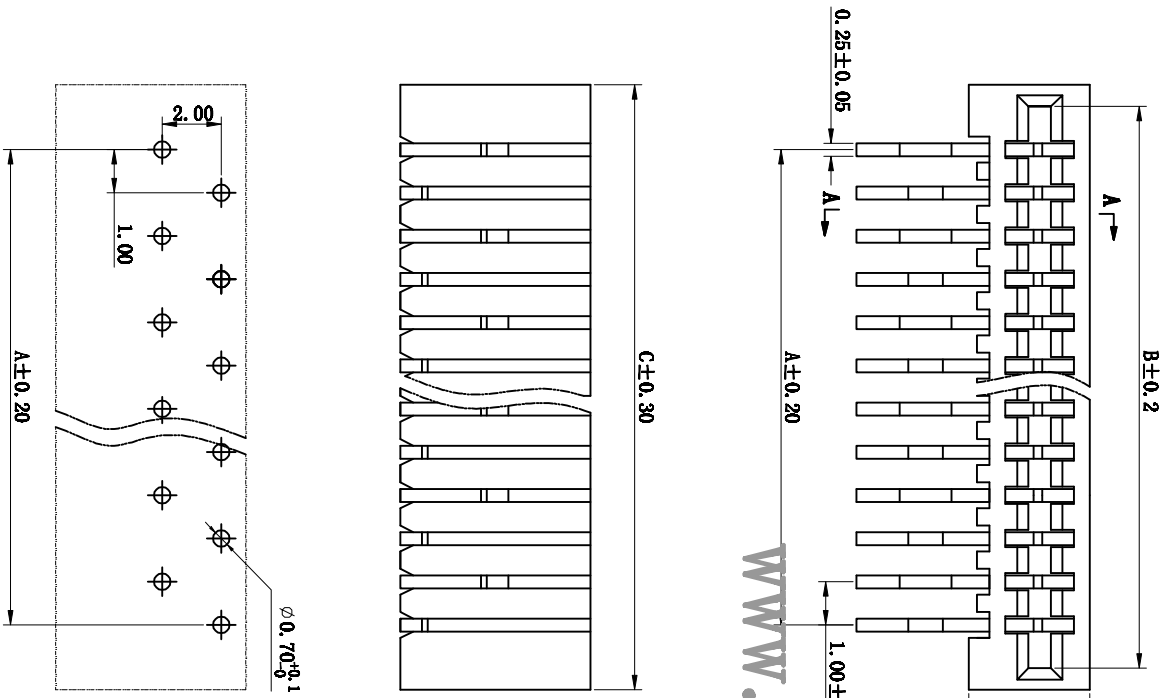


REV	DESCRIPTION	MARK
XI	first edition	

www.szjusun.cn

性能:
 额定电流: 0.5A
 额定电压: 50V
 耐电压: 500V
 接触电阻: 30mΩ
 绝缘电阻: 500MΩ
 工作温度: -20℃~+85℃
 塑件 (材质): PA46, UL94V-0
 插簧 (材质): 磷青铜, 镀锡

No. of Contacts	DIMENSIONS		
	DIM A	DIM B	DIM C
04	3.00	5.20	6.20
05	4.00	6.20	7.20
06	5.00	7.20	8.20
07	6.00	8.20	9.20
08	7.00	9.20	10.20
09	8.00	10.20	11.20
10	9.00	11.20	12.20
11	10.00	12.20	13.20
12	11.00	13.20	14.20
13	12.00	14.20	15.20
14	13.00	15.20	16.20
15	14.00	16.20	17.20
16	15.00	17.20	18.20
17	16.00	18.20	19.20
18	17.00	19.20	20.20
19	18.00	20.20	21.20
20	19.00	21.20	22.20
21	20.00	22.20	23.20
22	21.00	23.20	24.20
23	22.00	24.20	25.20
24	23.00	25.20	26.20
25	24.00	26.20	27.20
26	25.00	27.20	28.20
27	26.00	28.20	29.20
28	27.00	29.20	30.20
29	28.00	30.20	31.20
30	29.00	31.20	32.20
31	30.00	32.20	33.20
32	31.00	33.20	34.20
33	32.00	34.20	35.20
34	33.00	35.20	36.20
35	34.00	36.20	37.20
36	35.00	37.20	38.20



PCB Layout

		巨赛实业(深圳)有限公司 JUSAI INDUSTRIAL (SHENZHEN) CO.,LTD	
I ±	I' ±	MAT'L	APPD:
.I ± 0.20	.I' ± 0.1'	FINISH	CHD:
.III ±	.III' ±	UNITS: mm	Q'TY
		DR:	

CIS PART NO.:	PART NO.:
	FPC 1.0-2B3-HPW
DATE	VERSION
2016.03.09	V1.0
SCALE	SHEET
1:1	1/1
REV.	REV.
	XI