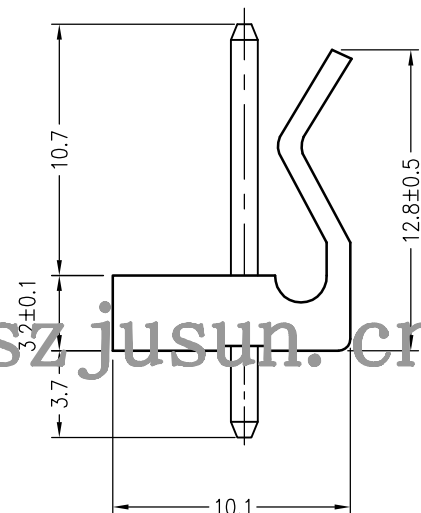
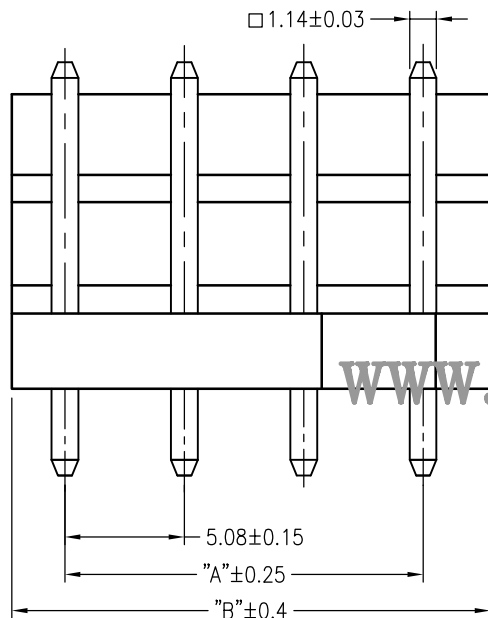


Poles	DIM.A	DIM.B
2P	5.08	10.16
3P	10.16	15.24
4P	15.24	20.32
5P	20.32	25.40
6P	25.40	30.48
7P	30.48	35.56
8P	35.56	40.64
9P	40.64	45.72
10P	45.72	50.80
11P	50.80	55.88
12P	55.88	60.96

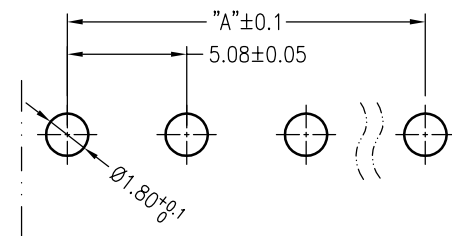


■ 技术参数 SPECIFICATIONS

- ◆ 适用线规: AWG#18~#24
Applicable Wire: AWG#18~#24
- ◆ 额定电压: 250V DC/AC(rms)
Rated voltage: 250V DC/AC(rms)
- ◆ 额定电流: 5A
Rated Current: 5A
- ◆ 耐压值: 500V AC/minute
Withstand voltage: 500V AC/min.
- ◆ 工作温度: -25°C ~ +120°C
Working Temp : -25°C ~ +120°C
- ◆ 绝缘电阻: ≥1000 MΩ
Insulation resistance: ≥1000 MΩ
- ◆ 接触电阻: ≤10 mΩ
Contact resistance: ≤10 mΩ

■ 材料 MATERIAL

- ◆ 绝缘体: 尼龙66, UL94-V2
Insulator: PA66, UL94-V2
- ◆ 接触针: 黄铜
Contact PIN: Brass



P.C.B LAYOUT

<p>钜赛实业(深圳)有限公司 JUSAI INDUSTRIAL (SHENZHEN) CO.,LTD</p>	GENERAL TOLERANCE		SCALE: 3:1	DRAWN:	DATE:	DOC. NO:	TITLE:	REV.:
	XX. ±0.40		UNIT: mm	CHECK:	DATE:	Y-E074	工程图	A
	X. ±0.30		SIZE: A4	APPROVE:	DATE:	PARTS NO:		SHEET:
	.X ±0.25 X.* ± 2°					5.08-NA		1/1
.XX ±0.15 .X.* ± 1°								