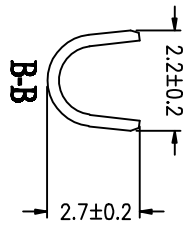
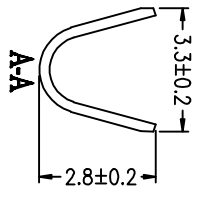
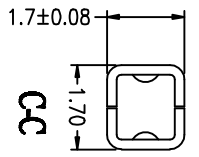
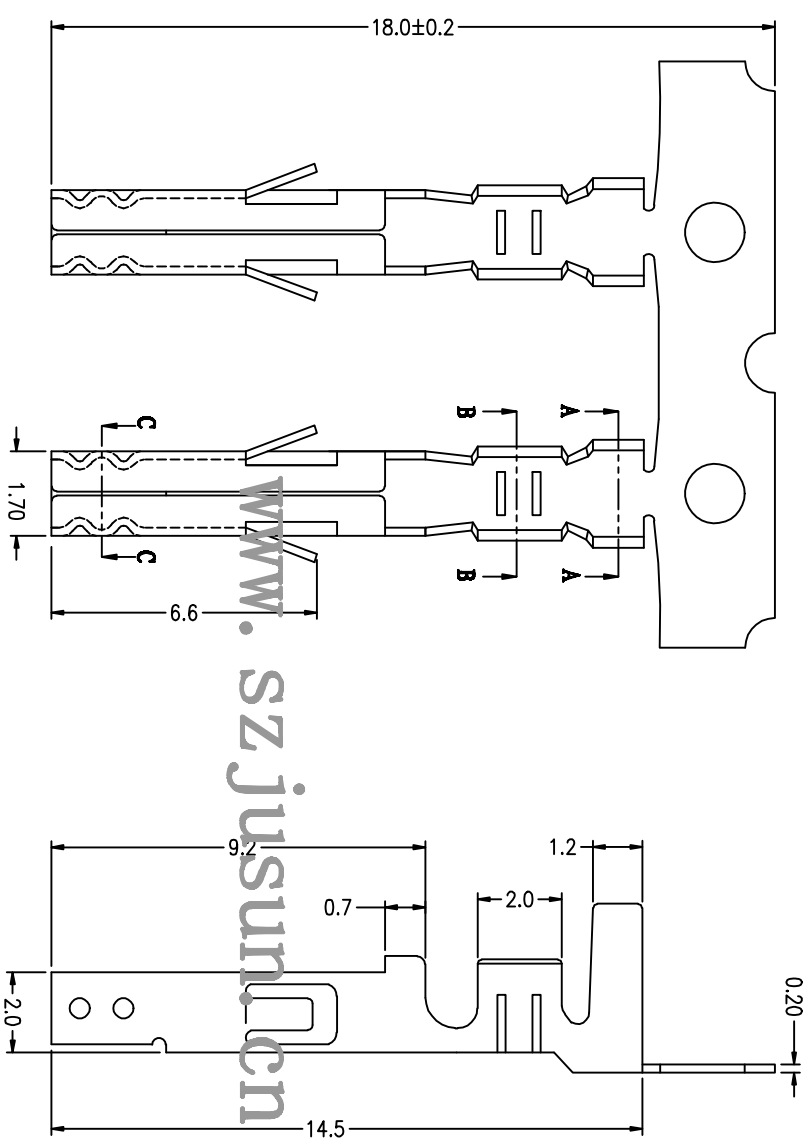


REV	DESCRIPTION	MARK
X1	first edition	

- NOTES:
1. Dim To Be Checked By QC
  2. Along any Portion of strip, Max Allowable Camber is 0.04mm Per 1000mm Length And MAX Allowable Twist is 45° Per 1000mm Length.
  3. All Corners and Radii have a maximum Radius of 0.1mm unless Otherwise Specified.

- ◆外環檢驗: 1. 端子刮傷  
2. 毛邊  
3. 歪斜變形  
4. 電鍍顏色
- ◆打樣承認: 1. 塑殼裂紋  
2. 端子外觀搖動  
3. 內/外/入

- ◆料源: 磷青銅 (Phosphor Bronze CS191R-0)
- ◆搭配膠殼: JD42000-01Y(S557)



<b>巨赛实业(深圳)有限公司</b> JUSAI INDUSTRIAL (SHENZHEN) CO.,LTD		PART NO.: <b>5557-TBR(母)</b> CUS PART NO.:	
X ± XX ± 0.1 XXX ±	X ± 0.1 X' ± 0.05 XXX' ±	MATL FINISH QTY	APPD: CHKD: DR:
	UNITS mm	DATE <b>2016.03.20</b>	SCALE 1:1
		SHEET 1/1	REV. X1
		VERSION V1.0	