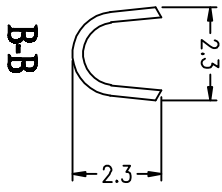
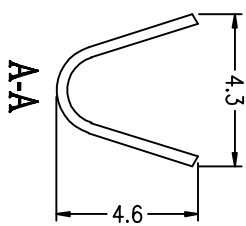
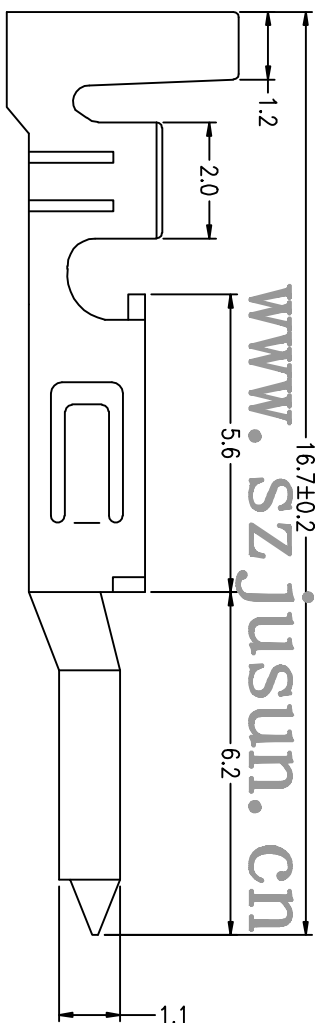
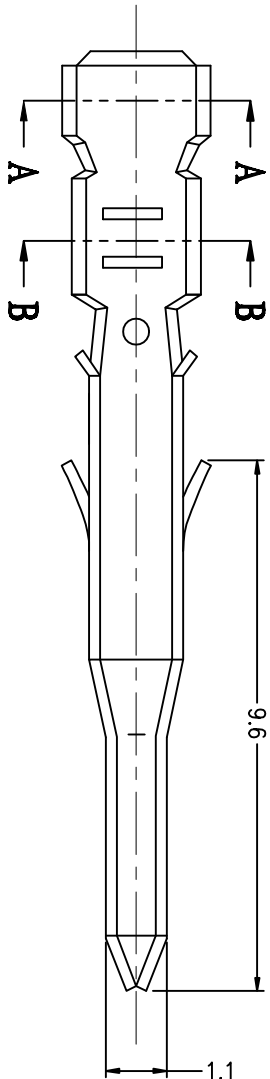


REV	DESCRIPTION	MARK
X1	First edition	

- NOTES:
1. Dim To Be Checked By QC
 2. Along any Portion of strip, Max Allowable Camber is 0.04mm Per 1000mm Length And MAX Allowable Twist is 45° Per 1000mm Length.
 3. All Corners and Radii have a maximum Radius of 0.1mm unless Otherwise Specified.



www.szjusun.cn

- ◆外環檢驗: 1. 磨子磨傷
2. 毛邊
3. 歪料變形
4. 電鍍顏色
- ◆打樣夾選: 1. 磨紋深淺
2. 磨子外環磨損
3. 內/外/八

- ◆材料: 磷青銅 (Phosphor Bronze C51912-40)
T=0.20mm
- ◆熱處理: JH4201-2(PN3559)

鉅賽实业(深圳)有限公司 JUSAI INDUSTRIAL (SHENZHEN) CO.,LTD		PART NO.: 6567-TER(公)	
MATL:		CUS PART NO.:	
APPD:		DATE: 2016.03.20	
FINISH:		VERSION: V1.0	
CHKD:		SCALE: 1:1	
QTY:		SHEET: 1/1	
DR:		REV: X1	