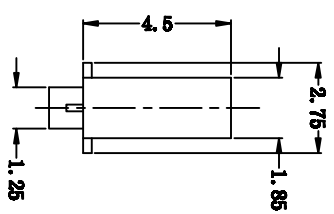
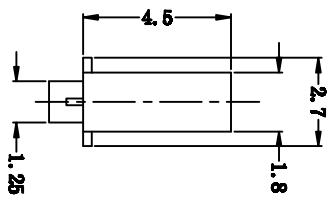
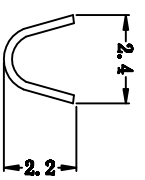
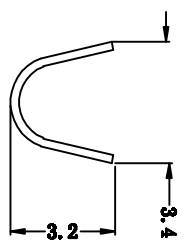
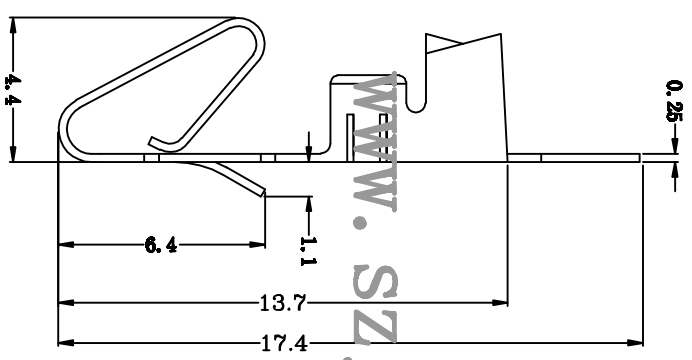
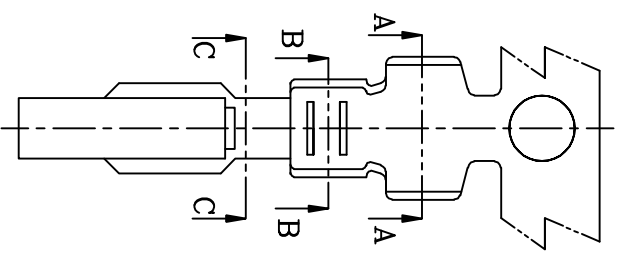


REV	DESCRIPTION	MARK
X1	First edition	



Notes:

1. MATERIAL: PHOSPHOR BRONZE, JIS C5191H, HV 200 $\pm$ 5°
2. Along any Portion of strip, Max Allowable Camber is 0.04mm Per 1000mm Length. And MAX. Allowable Twist is 45° Per 1000mm Length.
3. All Corners and Radii have a maximum Radius of 0.1mm unless Otherwise Specified.

4. P/M: 3.96 - Ter

Model Terminal

WWW.SZJUSUN.COM

**JUSUN** 钜赛实业(深圳)有限公司  
 JUSAI INDUSTRIAL (SHENZHEN) CO.,LTD

PART NO.: 3.96-Ter  
 CIS PART NO.:

UNIT	UNIT	UNIT	UNIT	UNIT	UNIT	UNIT	UNIT
I ±	I' ±	MAT'L	APPD:	DATE	VERSION	SCALE	SHEET
.I ± 0.00	.I' ± 0.1°	—	—	2016.12.12	VI.0	1:1	1/1
.II ± 0.00	.II' ± 0.00°	FINISH	CRD:				
.III ±	.III' ±	—	—				
UNIT: mm	UNIT: °	Q'TY	DR:				REV. XI