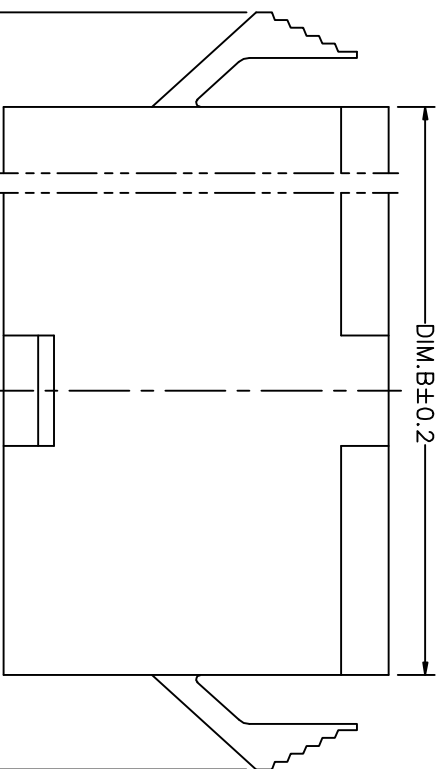
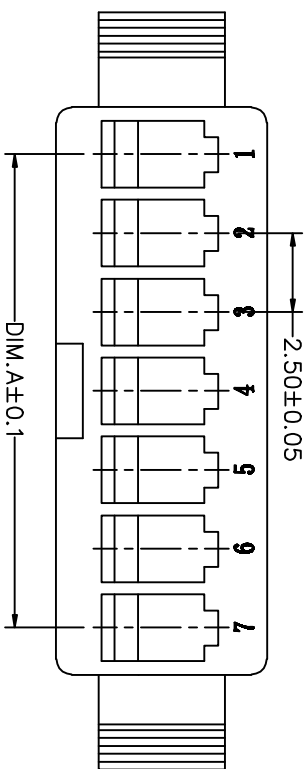
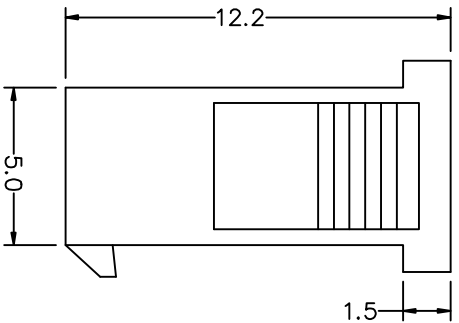
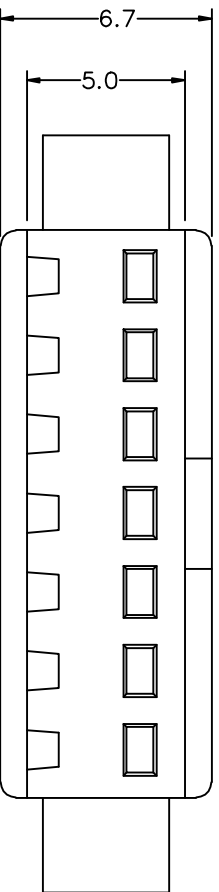


No. of Contacts	Part No	DIMENSIONS			
		DIM A	DIM B	DIM C	
02	SM-2Y	2.5	5.5	11.5	
03	SM-3Y	5.0	8.0	14.0	
04	SM-4Y	7.5	10.5	16.5	
05	SM-5Y	10.0	13.0	19.0	
06	SM-6Y	12.5	15.5	21.5	
07	SM-7Y	15.0	18.0	24.0	
08	SM-8Y	17.5	20.5	26.5	
09	SM-9Y	20.0	23.0	29.0	
10	SM-10Y	22.5	25.5	31.5	
11	SM-11Y	25.0	25.5	34.0	
12	SM-12Y	27.5	30.5	36.5	



www.szjusun.cn



### 技术参数 SPECIFICATIONS

- ◆ 间距: 2.5 Pitch: 2.5
- ◆ 适用线规: AWG#28 #22  
Applicable Wire: AWG#28 #22
- ◆ 额定电压: AC, DC, 250V (有效值)  
Voltage rating: AC, DC, 250V (rms)
- ◆ 额定电流: 3.0A  
Current rating: 3.0A
- ◆ 耐压值: 1000V AC/minute  
Withstand voltage: 1000V AC/minute
- ◆ 工作温度: -25°C~+85°C  
Working Temperature: -25°C~+85°C
- ◆ 绝缘电阻: > 1000 MΩ  
Insulation resistance: > 1000MΩ
- ◆ 接触电阻: < 0.02 Ω  
Contact resistance: < 0.02 Ω
- ◆ 适用印制板厚度: 1.6 mm  
Applicable PC board thickness: 1.6 mm

### 材料 MATERIAL

- ◆ 绝缘座: 尼捷 U94-0  
Housing: Nylon U94-0
- ◆ 端子: 磷青铜  
Terminal: Phosphor bronze

GENERAL TOLERANCE		SCALE	DRAWN	DATE	DWG. NO.	TITLE	REV.
XX. ± 0.25	XXX. ± 0.40	5=1	CHECK	DATE	G:\DWG\Production\SM-nY.DWG	塑胶图	A
X. ± 0.20	.XXX ± 0.05	MM	CHECK	DATE			
.X ± 0.15	X. ± 2'	SIZE	APPROVE	DATE	PARTS NO.		SHEET
XX ± 0.08	.X' ± 1'	A4			SM-nY		1/1


  
 炬美实业(深圳)有限公司
   
 JUSUN INDUSTRIAL (SHENZHEN) CO.,LTD