

REV	DESCRIPTION	MARK
X1	First edition	

■ 技术参数 (SPECIFICATIONS)

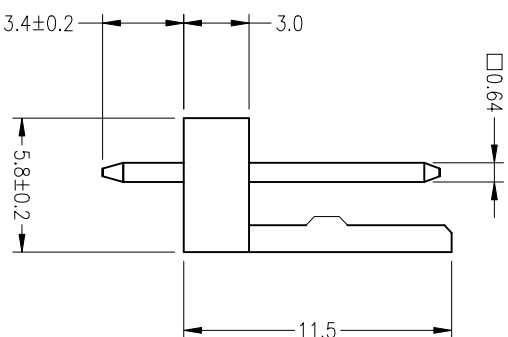
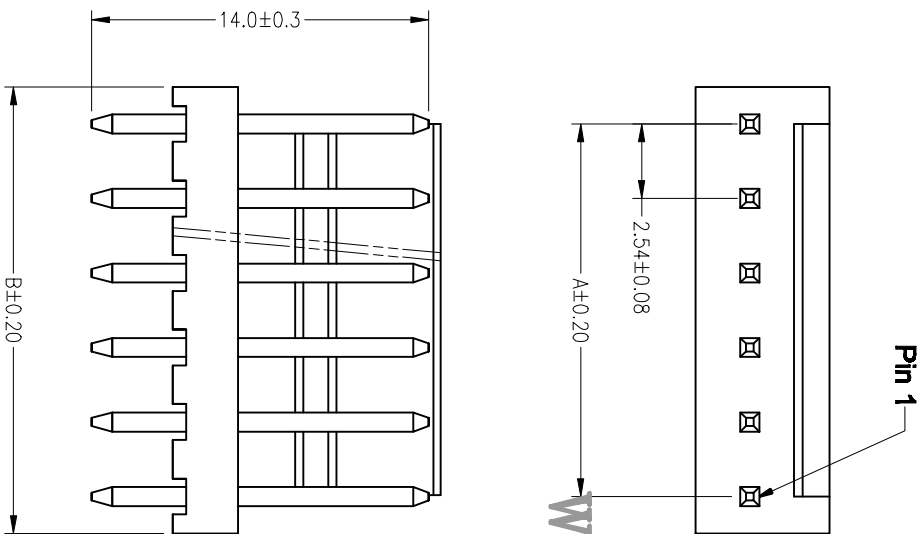
- ◆ 极数: 2-20
Poles: 2-20
- ◆ 适用线规: AWG#28-#22
Applicable wire : AWG#28-#22
- ◆ 额定电压: AC,DC,250V(50HZ有效值)
Voltage rating: AC,DC,250V(200HZ)
- ◆ 额定电流: 3.0A,AC,DC
Current rating: 3.0A,AC,DC
- ◆ 耐压值: 1000V AC/minute
Withstand voltage: 1000V AC/minute
- ◆ 工作温度: -25°C~+85°C
Working Temperature: -25°C~+85°C
- ◆ 绝缘电阻: ≥1000 MΩ
Insulation resistance: ≥1000 MΩ
- ◆ 接触电阻: ≤0.02 Ω
Contact resistance: ≤0.02 Ω

■ 材料 MATERIAL

- ◆ PIN 针: 黄铜
PIN Material : Brass
- ◆ 针座 (Wafer)
材质: PA66, UL 94V-0
Material : PA66, UL94-0

Part No	A	B	Part No	A	B
2510-2A	2.54	5.08	2510-10A	22.86	25.40
2510-3A	5.08	7.62	2510-11A	25.40	27.94
2510-4A	7.62	10.16	2510-12A	27.94	30.48
2510-5A	10.16	12.70	2510-13A	30.48	33.02
2510-6A	12.70	15.24	2510-14A	33.02	35.56
2510-7A	15.24	17.78	2510-15A	35.56	38.10
2510-8A	17.78	20.32	2510-16A	38.10	40.64
2510-9A	20.32	22.86	2510-20A	48.26	50.80

WWW.SZJUSUN.CN



巨赛实业(深圳)有限公司 JUSAI INDUSTRIAL (SHENZHEN) CO.,LTD		PART NO. : 2510-NA	
		CIS PART NO. :	
.X ± 0.20 .XX ± 0.10 .XXX ±		MAT'L FINISH CRD:	
.X ± 0.10 .XX ± 0.05 .XXX ±		DATE: 2017.04.20 SCALE: 1:1	
UNITS: MM 		VERSION: VI.0 SHEET: 1/1 REV: XI	