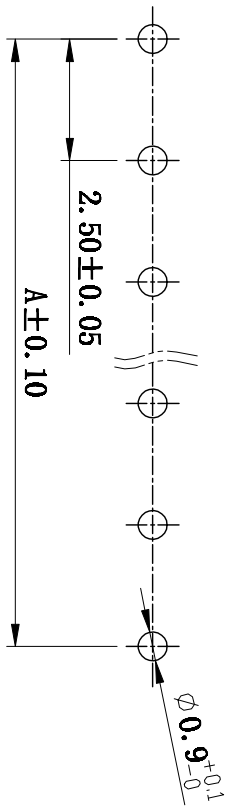
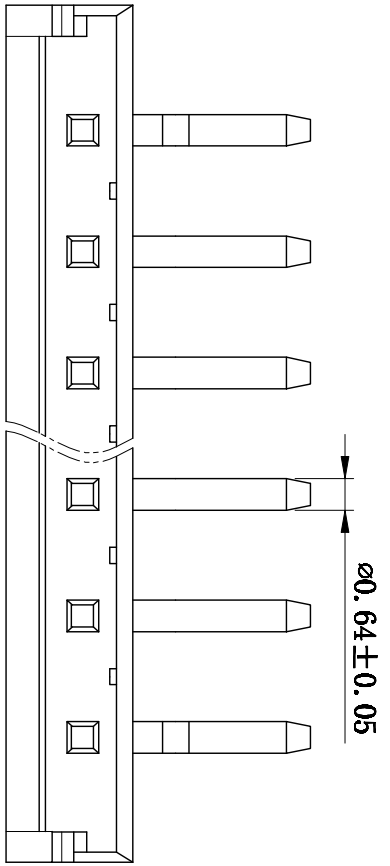
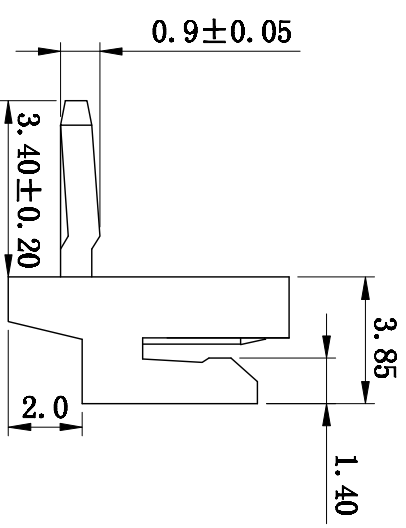
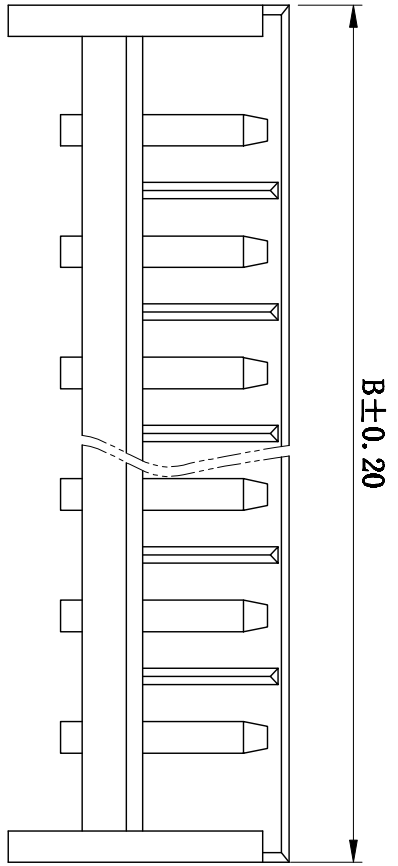


REV	DESCRIPTION	DATE
XI	First edition	



SPECIFICATIONS

- Voltage rating: 250V AC,DC
 - Current rating: 2A,AC,DC
 - Withstanding Voltage: 1000V AC/minute
 - Insulation resistance: 1000M Ω min
 - Temperature range: $\ominus 25 \text{ } ^\circ\text{C}$ to $+85 \text{ } ^\circ\text{C}$ (including temperature rise in applying electrical current)
 - Contact resistance: $\delta \leq 10 \text{ m}\Omega$
- WAFER
- Poles: 2-15
 - Material: Nylon 66, UL94V-0
 - Brass Tin-plating
 - Q'TY: 500 ,1000 pcs/bag

孔位	A	B
2	2.50	7.50
3	5.00	10.00
4	7.50	12.50
5	10.00	15.00
6	12.50	17.50
7	15.00	20.00
8	17.50	22.50
9	20.00	25.00
10	22.50	27.50
11	25.00	30.00
12	27.50	32.50
13	30.00	35.00
14	32.50	37.50
15	35.00	40.00

JUSON 炬赛实业(深圳)有限公司
JUSAI INDUSTRIAL (SHENZHEN) CO.,LTD

TITLE: EH-nAWD

USE: PART NO.:

FINISH: APPD:

CHEKD: DR:

SCALE: 1:1 SHEET: 1/1 REV: XI