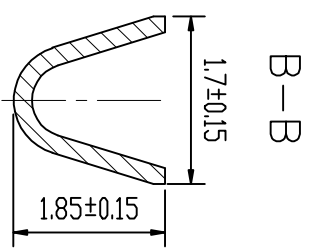
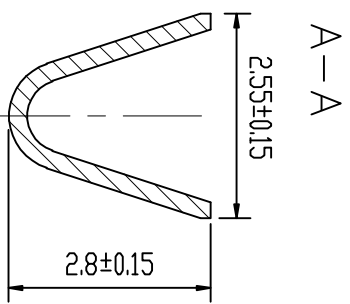
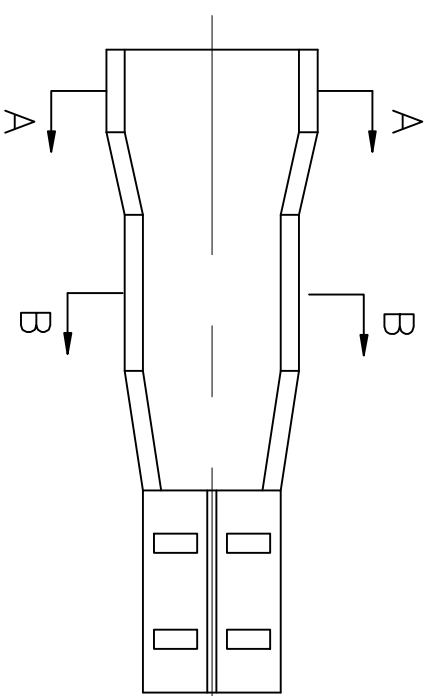
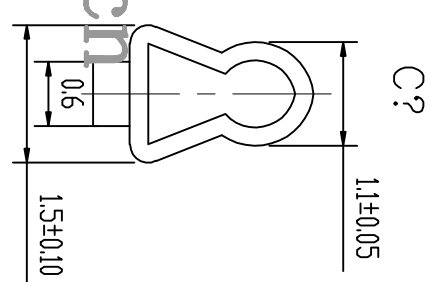
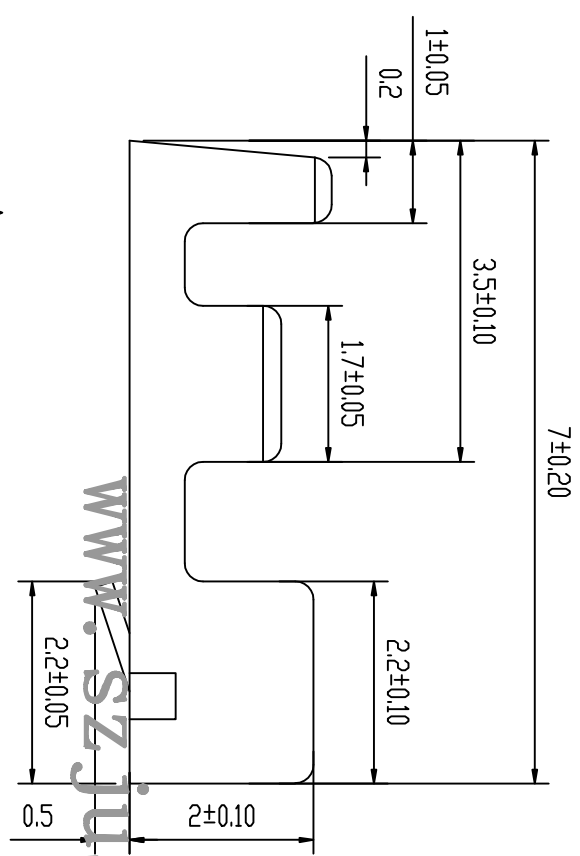


REV	DESCRIPTION	MARK
X1	first edition	

**性能:**

额定电流: 2.0A  
 额定电压: 250V  
 耐电压: 1000V  
 绝缘电阻: 1000MΩ  
 接触电阻: 30mΩ  
 工作温度: -20℃~+85℃

胶壳(材质): PA66, UL94V-0  
 端子(材质): 磷青铜, 镀锡



<b>巨赛实业(深圳)有限公司</b> JUSAI INDUSTRIAL (SHENZHEN) CO.,LTD		PART NAME: <b>5264-TER</b>	
X ±	X' ±	MATL	APPD:
X ± 0.2	X' ± 0.1*	∕	
XX ± 0.1	XX' ± 0.05*	FINISH	CHKD:
XXX ±	XXX' ±	∕	
	UNITS: mm	Q'TY	DR:
PART NO.:		DATE	VERSION
2016.07.22		SCALE	REVISION
1:1		SHEET	REV.
1/1		1/1	X1