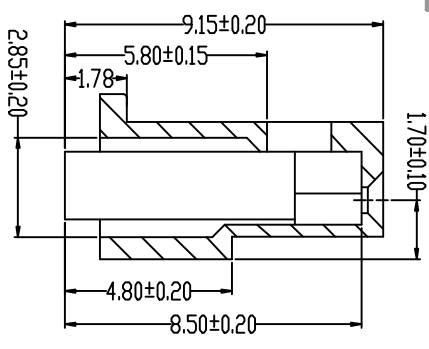
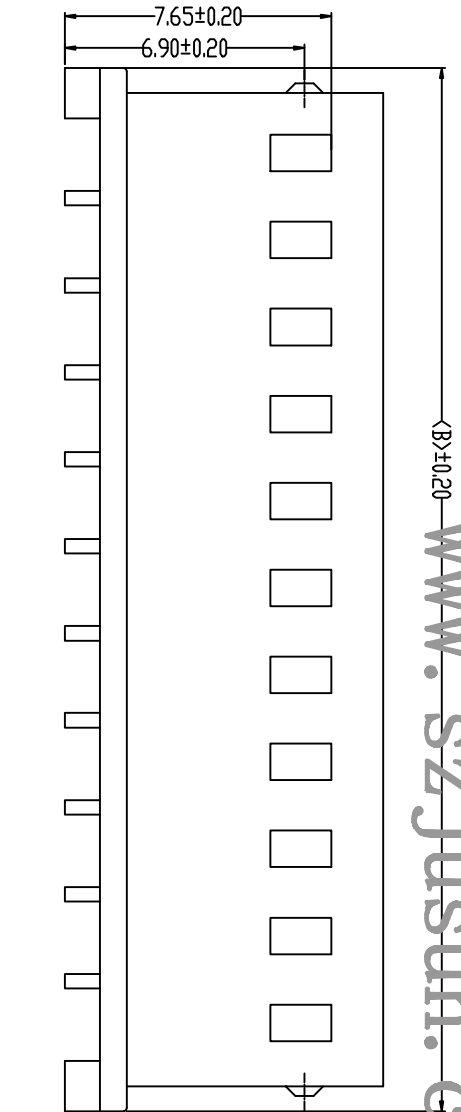
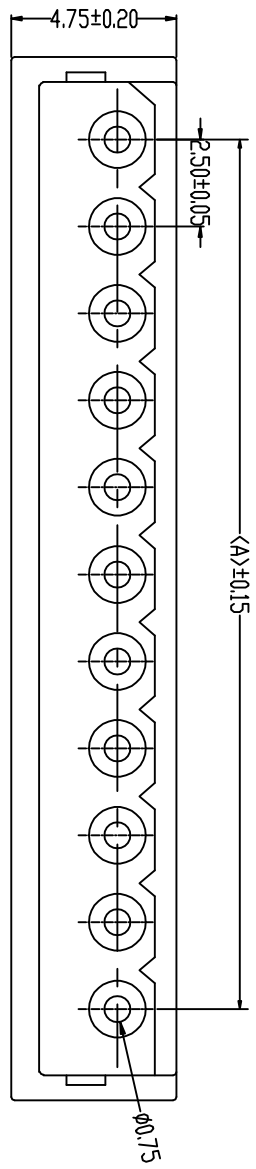


REV	DESCRIPTION	MARK
X1	first edition	

性能:
 额定电流: 2.0A
 额定电压: 250V
 耐电压: 1000V
 绝缘电阻: 1000MΩ
 接触电阻: 30mΩ
 工作温度: -20℃~+85℃

胶壳(材质): PA66, UL94V-0
 端子(材质): 磷青铜, 镀锡



PART NO	Dimensions	
	A	B
5264-2Y	2.50	7.50
5264-3Y	5.00	10.00
5264-4Y	7.50	12.50
5264-5Y	10.00	15.00
5264-6Y	12.50	17.50
5264-7Y	15.00	20.00
5264-8Y	17.50	22.50
5264-9Y	20.00	25.00
5264-10Y	22.50	27.50
5264-11Y	25.00	30.00
5264-12Y	27.50	32.50
5264-13Y	30.00	35.00
5264-14Y	32.50	37.50
5264-15Y	35.00	40.00
5264-16Y	37.50	42.50
5264-17Y	40.00	45.00

WWW.SZJUSUN.CN

JUSUN 巨赛实业(深圳)有限公司
 JUSAI INDUSTRIAL (SHENZHEN) CO.,LTD

X ±	X' ±	MAT'L	APPD:	PART NAME:	5264-1Y
X ± 0.2	X' ± 0.1°	∕		PART NO.:	
.XX ± 0.1	.XX' ± 0.05°	FINISH	CHKD:	DATE	2016.07.22
.XXX ±	.XXX' ±		DR:	VERSION	V1.0
UNIT: mm	UNIT: mm	Q'TY		SCALE	1:1
				SHEET	1/1
				REV.	X1