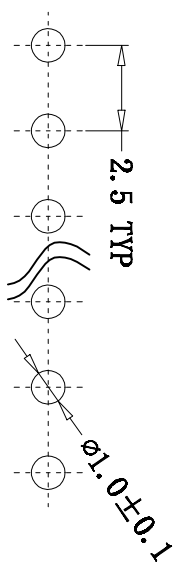


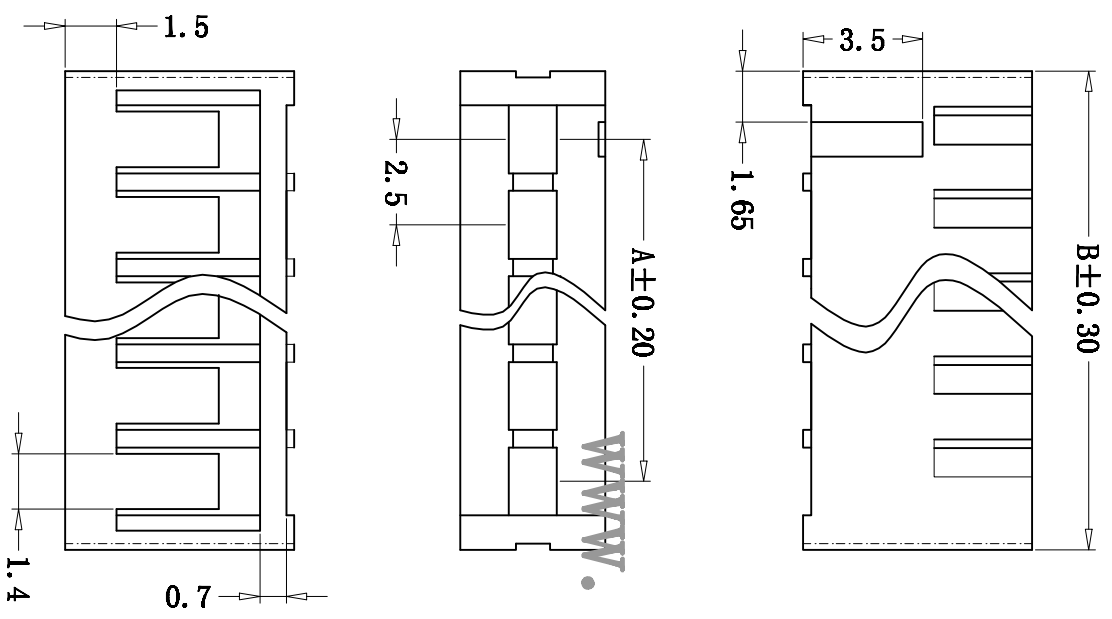
REV	DESCRIPTION	MARK
XI	first edition	



Recommend PCB Layout

- SPECIFICATIONS**
- Voltage rating: 250V AC,DC
  - Current rating: 2.5A,AC,DC
  - Withstanding Voltage: 800V AC/minute
  - Insulation resistance: 1000MΩmin
  - Temperature range: -25 C to +85C
  - Contact Resistance: 20mΩmax
- HOUSING**
- Poles: 2-16
  - Material: Nylon 66 ,UL94V-0
  - Q'TY: 1,000 pcs/bag

NO	DIMENSION (mm)		MATERIAL
	A	B	
2	2.50	6.60	NYLON 66 UL94V-0
3	5.00	9.10	
4	7.50	11.60	
5	10.00	14.10	
6	12.50	16.60	
7	15.00	19.10	
8	17.50	21.60	
9	20.00	24.10	
10	22.50	26.60	
11	25.00	29.10	
12	27.50	31.60	
13	30.00	34.10	
14	32.50	36.60	
15	35.00	39.10	
16	37.50	41.60	



www.szjustin.com

<b>JUSUN</b> 钰赛实业(深圳)有限公司 JUSAI INDUSTRIAL (SHENZHEN) CO.,LTD		TITLE: JC25-nY	
USE: MAT'L	FINISH: Tin Plated	APRD:	DR:
CHD:	SCALE: 1:1	SHEET: 1/1	REV: XI
UNIT: mm			