

REV	DESCRIPTION	MARK
XI	First edition	

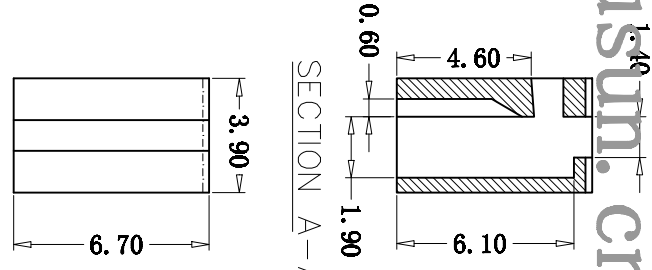
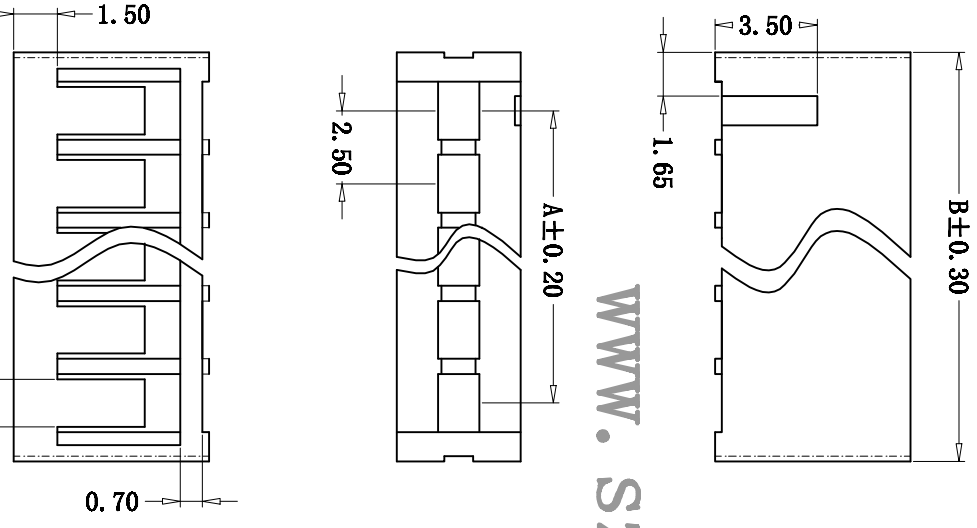
SPECIFICATIONS

- Voltage rating: 250V AC,DC
- Current rating: 2.5A AC,DC
- Withstanding Voltage: 800V AC/minute
- Insulation resistance:1000MΩ/min
- Temperature range: -25°C to +85°C
- Applicable PC board thickness:0.047(1.2mm), 0.063 (1.6mm)
- Contact resistance: Initial Voice/10ma max
After environmental
Texting/20ma

HOUSING

- Poles:2-16
- Material:Nylon 66 ,UL94V-2
- QTY:1,000 pcs/bag

www.szjusun.cn



NO	DIMENSION (mm)	
	A	B
1	2.50	6.60
2	2.50	6.60
3	5.00	9.10
4	7.50	11.60
5	10.00	14.10
6	12.50	16.60
7	15.00	19.10
8	17.50	21.60
9	20.00	24.10
10	22.50	26.60
11	25.00	29.10
12	27.50	31.60
13	30.00	34.10
14	32.50	36.60
15	35.00	39.10
16	37.50	41.60

JUSUN 巨赛实业(深圳)有限公司
JUSAI INDUSTRIAL (SHENZHEN) CO.,LTD

L ±	L' ±	MAT'L	APPD:	PART NO.:	SCN-nY
.I ± 0.1	.I' ± 0.1	/		CIS PART NO.:	
.X ± 0.06	.X' ± 0.06°	FINISH	CHKD:	DATE	VERSION
.XX ±	.XX' ±	/		2017.08.08	VI.0
UNITS:	Q'TY	DR:	SCALE	SHEET	REV.
			1:1	1/1	XI