

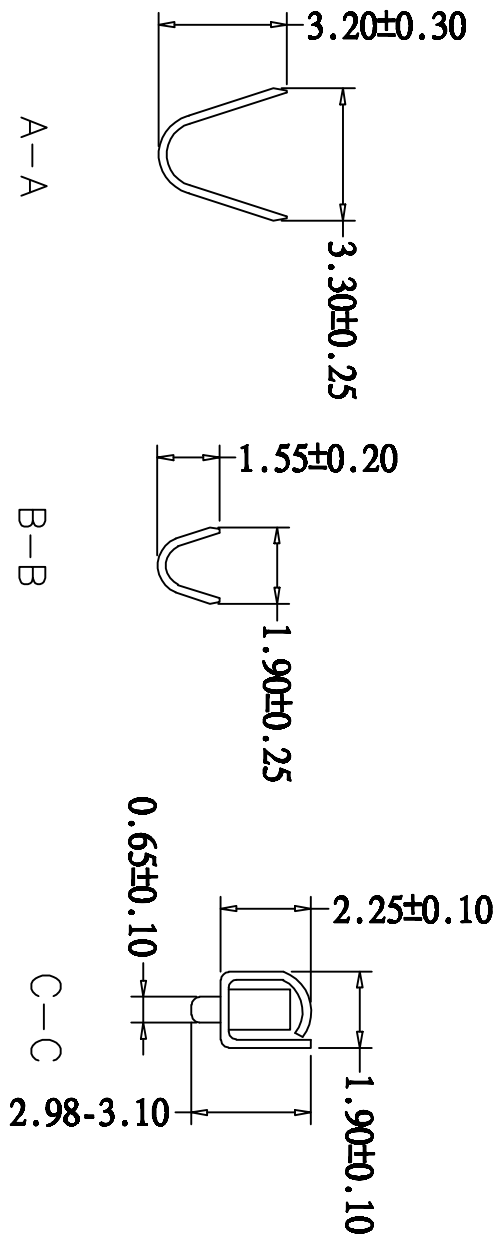
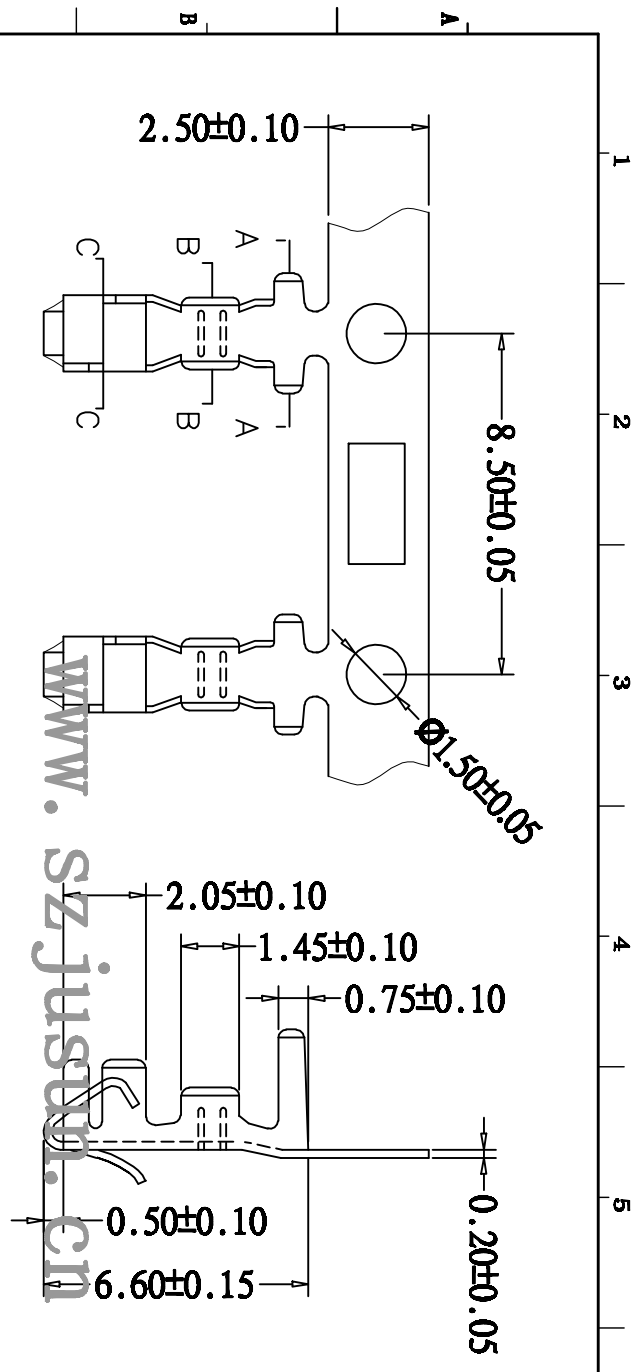
REV	DESCRIPTION	MARK
XI	first edition	

**SPECIFICATIONS**

- Voltage Rating: 250V AC/DC
- Current Rating: 3A AC/DC
- Withstanding Voltage: 1,000V AC/minute
- Insulation Resistance: 1,000M  $\Omega$  min
- Temperature Range: -25° C to +85° C
- Contact Resistance: 20m  $\Omega$  max

**TERMINAL**

- Thickness: 0.20mm
- Wire Range: AWG#22-#28
- Material: Phosphor Bronze tin-plated
- Hardness: H
- Reel Q'ty: 8000pcs



<b>JUSUN</b> 钜赛实业(深圳)有限公司		TITLE: XHS-TER	
JUSAI INDUSTRIAL (SHENZHEN) CO.,LTD		PART NO.:	
USE:	MAT'L	Phosphor bronze	
APPD:	FINISH	Tin Plated	
CHKD:	DR:	Q'TY	

SCALE	SHEET	REV.
1:1	1/1	XI