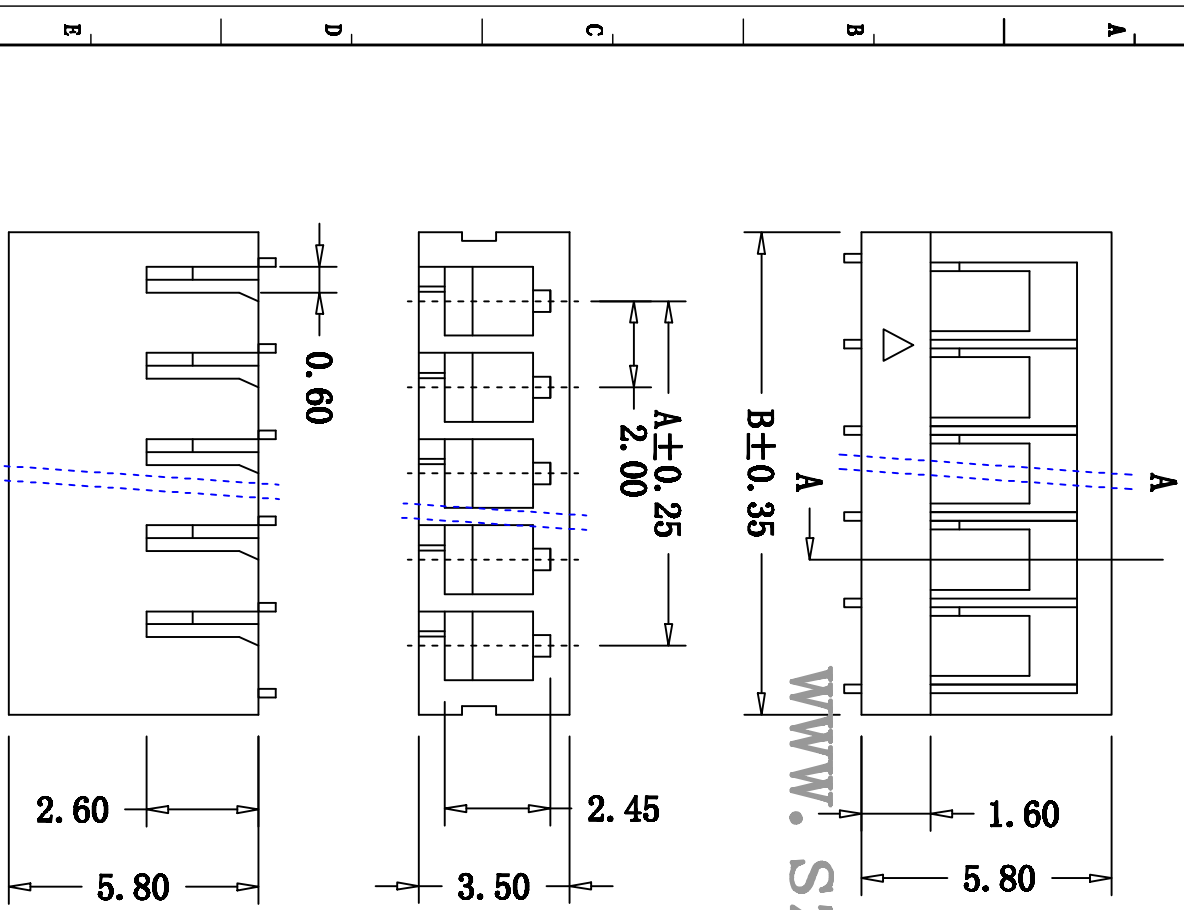
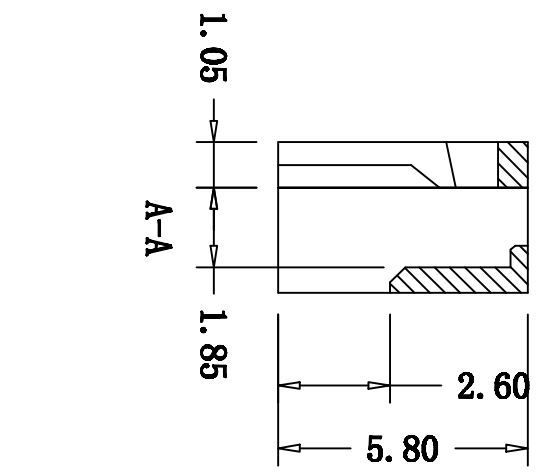


REV	DESCRIPTION	MARK
XI	Client edition	

www.szjusun.cn



- SPECIFICATIONS
- Voltage Rating: 250V AC/DC
 - Current rating: 2A AC/DC
 - Withstanding Voltage: 800V AC/minute
 - Insulation resistance: 1,000MΩmin
 - Temperature range: -25°C- +85°C
 - Contact Resistance: 20m Ωmax
- HOUSING
- Part No: CS-1130R (Right Angle)
 - Poles: 2-16
 - Material: Nylon 66 UL94V-0
 - Q'TY: 1,000 pcs/Tape bag



Part NO.	Dimensions (mm)	
	A	B
JC20-2Y	2.00	5.20
JC20-3Y	4.00	7.20
JC20-4Y	6.00	9.20
JC20-5Y	8.00	11.20
JC20-6Y	10.00	13.20
JC20-7Y	12.00	15.20
JC20-8Y	14.00	17.20
JC20-9Y	16.00	19.20
JC20-10Y	18.00	21.20
JC20-11Y	20.00	23.20
JC20-12Y	22.00	25.20
JC20-13Y	24.00	27.20
JC20-14Y	26.00	29.20
JC20-15Y	28.00	31.20
JC20-16Y	30.00	33.20

JUSUN 钜赛实业(深圳)有限公司
JUSAI INDUSTRIAL (SHENZHEN) CO.,LTD

尺寸	公差	材料	用途	标题
.I ± 0.30	.I' ±	PA6T L	USE:	JC20-nY
.II ± 0.10	.II' ±	Phosphor bronze	APPD:	PART NO.:
.III ±	.III' ±	FINISH	CHRD:	
		Tin Plated	DR:	
UNIT: mm	Q'TY			

SCALE 1:1 SHEET 1/1 REV. XI