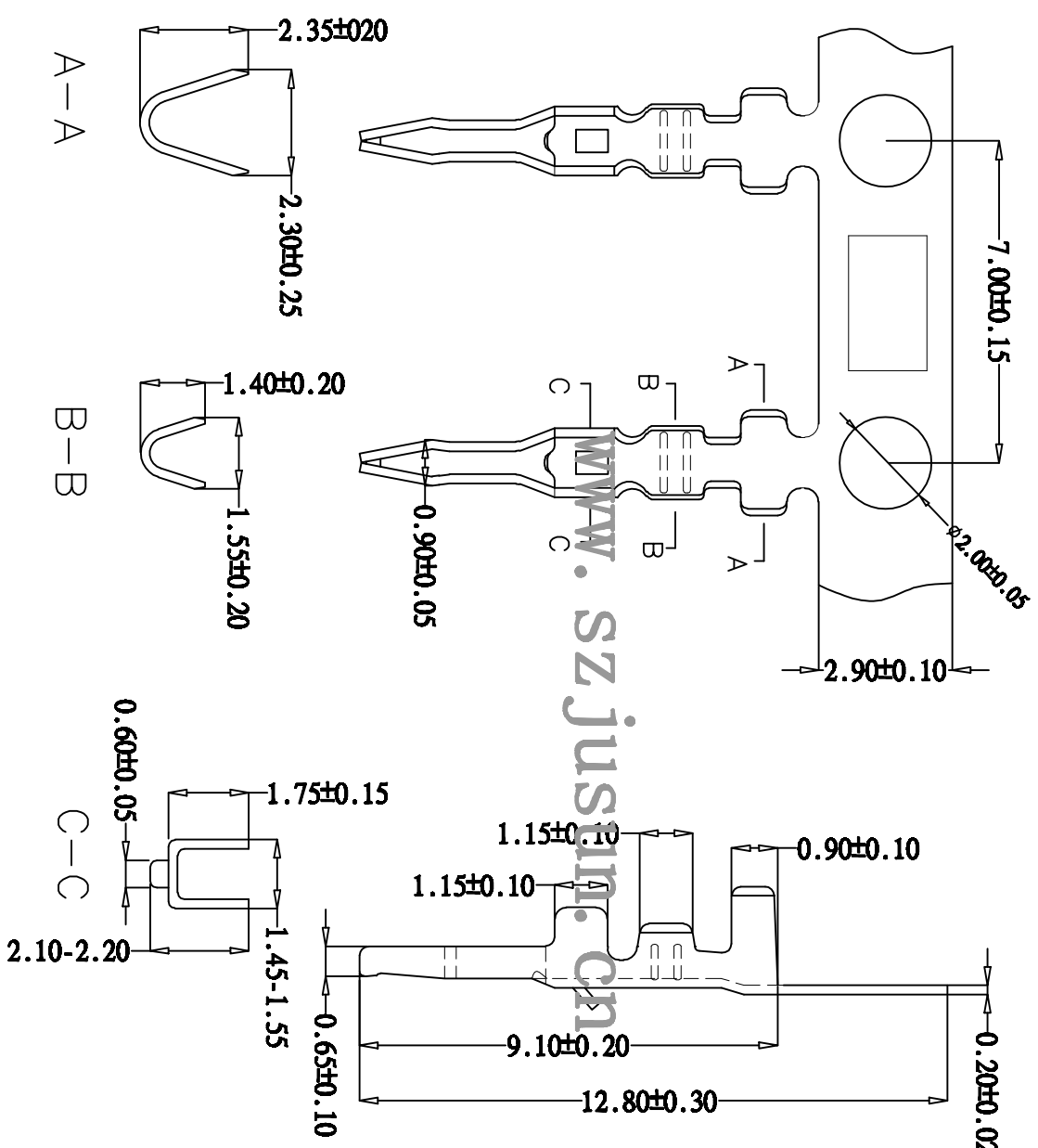


REV	DESCRIPTION	MARK
X1	First edition	

TERMINAL
 . Material: Phosphor Bronze
 tin-plated
 . Thickness: 0.20mm
 . Hardness: H
 . Wire Range: AWG#24-#30
 Q' TY: 10000PCS



JUSUN 巨赛实业(深圳)有限公司		TITLE: SAN-TER	
JUSAI INDUSTRIAL (SHENZHEN) CO.,LTD		PART NO.:	
X ±	X' ±	USE: Phosphor bronze	
X ± 0.25	X' ±	APPD:	
XX ± 0.15	XX' ±	FINISH: Tin Plated	
XXX ±	XXX' ±	CHKD:	
UNIT'S: mm	Q'TY: /	DR:	
SCALE: 1:1		SHEET: 1/1	
		REV: X1	