

REV	DESCRIPTION	MARK
X1	first edition	

SPECIFICATIONS

- Voltage rating: 250V AC,DC
- Current rating: 2A,AC,DC
- Withstanding Voltage: 800V AC/minute
- Insulation resistance: 1000M Ω /min
- Temperature range: (-25) +85
- Applicable PC board thickness: 0.8-1.6mm
- Contact resistance: Initial Value/10 \times After environmental Testing/20m

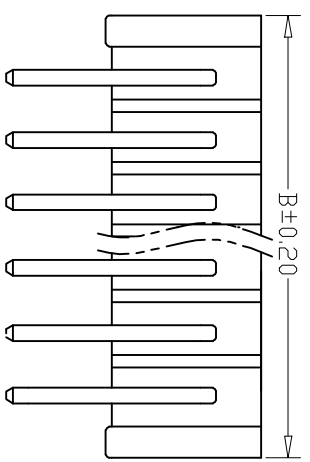
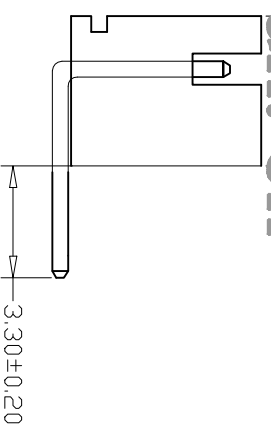
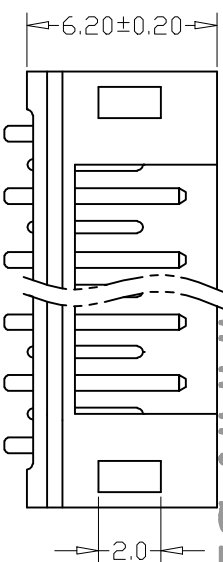
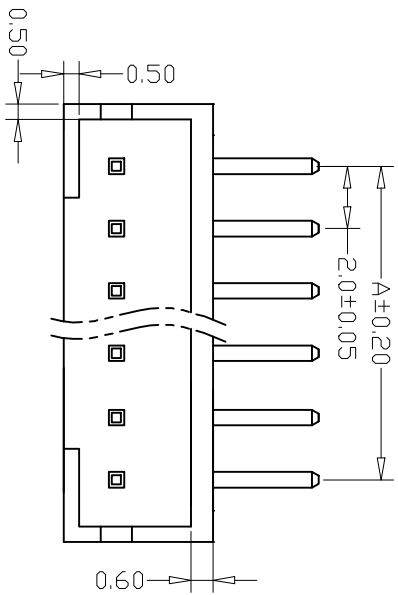
WAFER

- Part No: PH-nAW
- Poles: 2-16
- Material: Nylon 66, UL94V-0
- Q'TY: 1000 pcs/bag

Dimensions (mm) MATERIAL

PIN	Dimensions (mm)		MATERIAL
	A	B	
2	2.00	6.00	NYLON 66 UL94V-0
3	4.00	8.00	
4	6.00	10.00	
5	8.00	12.00	
6	10.00	14.00	
7	12.00	16.00	
8	14.00	18.00	
9	16.00	20.00	
10	18.00	22.00	
11	20.00	24.00	
12	22.00	26.00	
13	24.00	28.00	
14	26.00	30.00	
15	28.00	32.00	
16	30.00	34.00	

www.szjusun.cn



JUSUN 炬赛实业(深圳)有限公司 JUSAI INDUSTRIAL (SHENZHEN) CO.,LTD		PART NO.: PH-nAW	
X ±	X' ±	MAT'L	APPD:
X ± 0.20	X' ± 0.1*	∕	CUS PART NO.:
.XX ± 0.10	.XX' ± 0.05*	FINISH	CHKD:
.XXX ±	.XXX' ±	∕	DATE: 2017.05.10
UNIT'S: mm	UNIT'S: mm	Q'TY	DR:
SCALE 1:1		SHEET 1/1	VERSION VI.0
		REV. X1	