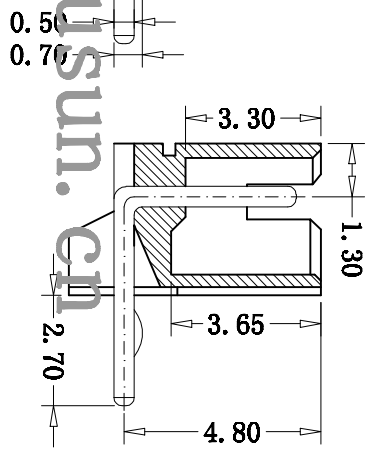
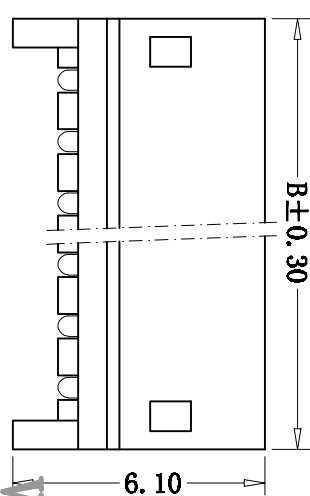
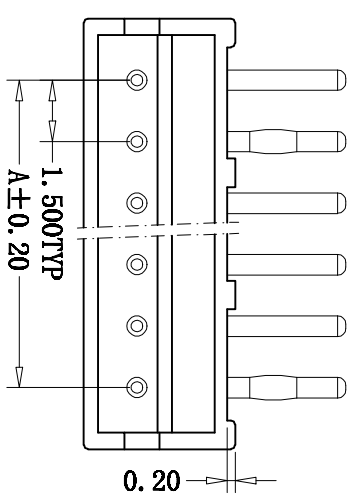


REV	DESCRIPTION	MARK
XI	First edition	



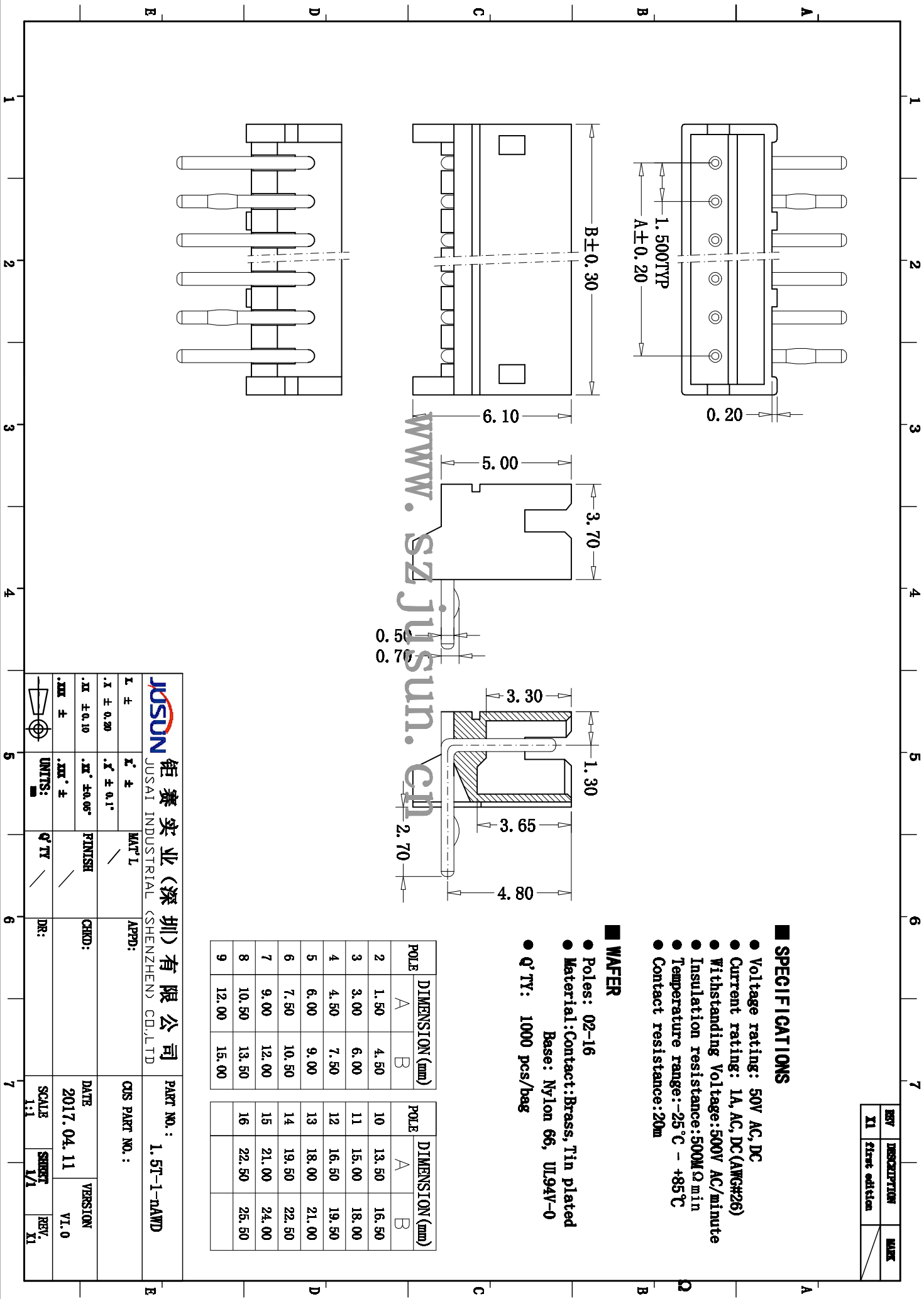
■ SPECIFICATIONS

- Voltage rating: 50V AC, DC
- Current rating: 1A, AC, DC (AWG#26)
- Withstanding Voltage: 500V AC/minute
- Insulation resistance: 500MΩ min
- Temperature range: -25°C - +85°C
- Contact resistance: 20m

■ WAFER

- Poles: 02-16
- Material: Contact: Brass, Tin plated
Base: Nylon 66, UL94V-0
- Q'TY: 1000 pcs/bag

POLE	DIMENSION (mm)		POLE	DIMENSION (mm)	
	A	B		A	B
2	1.50	4.50	10	13.50	16.50
3	3.00	6.00	11	15.00	18.00
4	4.50	7.50	12	16.50	19.50
5	6.00	9.00	13	18.00	21.00
6	7.50	10.50	14	19.50	22.50
7	9.00	12.00	15	21.00	24.00
8	10.50	13.50	16	22.50	25.50
9	12.00	15.00			



JUSUN 钜赛实业(深圳)有限公司
JUSAI INDUSTRIAL (SHENZHEN) CO.,LTD

L ±	L' ±	MAT'L	APPD:	PART NO.:	1.5T-1-1A1D	
.I ± 0.20	.I' ± 0.1"	/		CIS PART NO.:		
.X ± 0.10	.X' ± 0.05°	FINISH	CHKD:	DATE	2017.04.11	VERSION
.XX ±	.XX' ±	/	DR:	SCALE	1:1	REV. XI
UNITS: mm			Q'TY	SHEET 1/1		