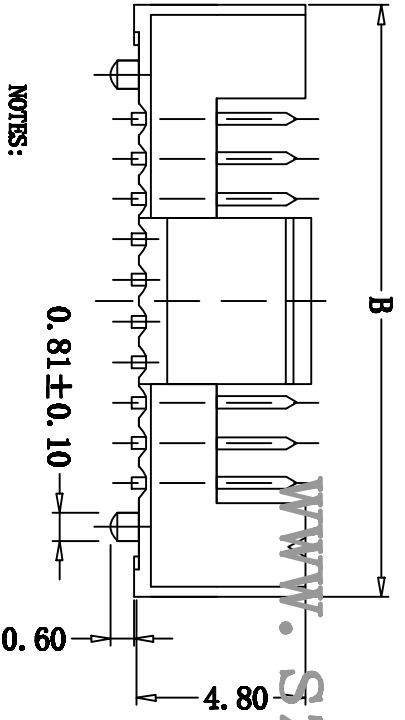
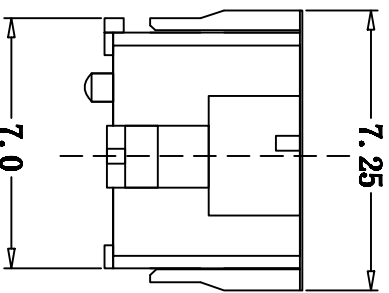
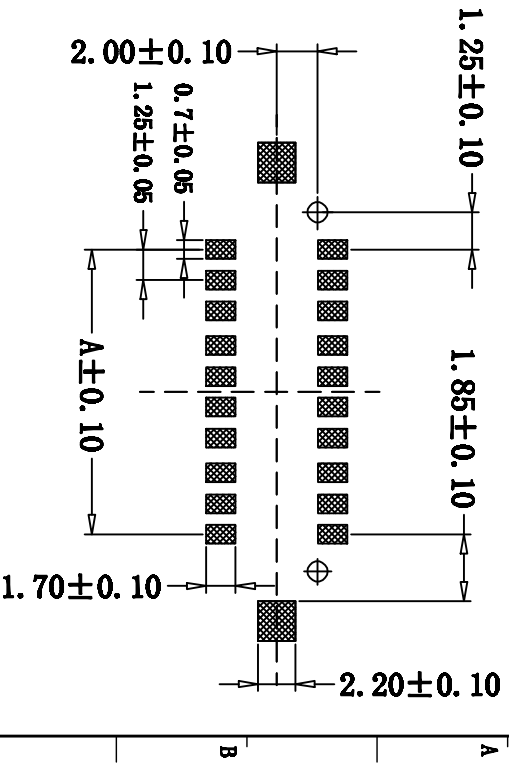


REV	DESCRIPTION	DATE
XI	First edition	



P.C.B. LAYOUT

20P*2	DF-13-2*20PB	23.75	31.00
15P*2	DF-13-2*15PB	17.50	24.75
10P*2	DF-13-2*10PB	11.25	18.50
5P*2	DF-13-2*5PB	5.00	12.25
CKT/ROW	PART NO.	A	B

NOTES:

1. INSULATOR: NYLON 6T, UL94V-0
2. CONTACT: BRASS
3. CONTACT FINISH: TIN PLATED
4. LATCH: BRASS
5. LATCH FINISH: TIN PLATED
6. CAP: NYLON 6T UL94V-0
7. SPECIFICATIONS
CURRENT RATING: 1A
VOLTAGE RATING: 100V AC, DC
TEMPERATURE RANGE: -25° C-85° C
CONTACT RESISTANCE: 20mΩ MAX.
INSULATION RESISTANCE: 500mΩ MIN.
WITHSTANDING VOLTAGE: 500V AC /minute
8. ORDERING CODE: CNT155-XX 00A

JUSUN 鉅賽实业(深圳)有限公司
JUSAI INDUSTRIAL (SHENZHEN) CO.,LTD

UNIT: mm	SCALE: 1:1
FINISH	SHEET: 1/1
DR:	REV: XI
USE:	TITLE: DF13-2XnAB
APPD:	PART NO.:
CHEKD:	DWG NO.:

www.szjusun.cn