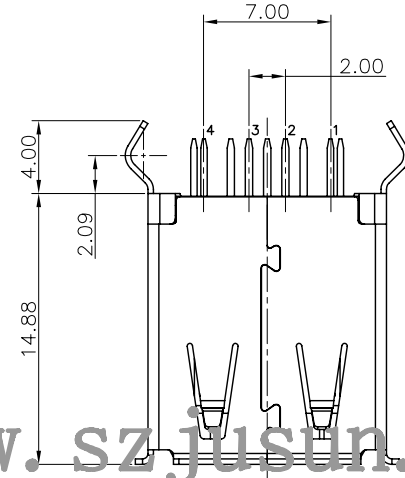
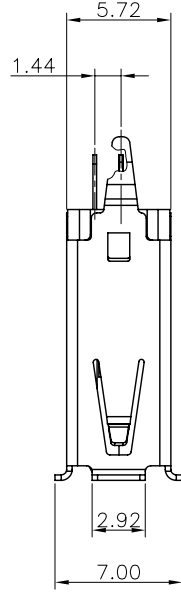
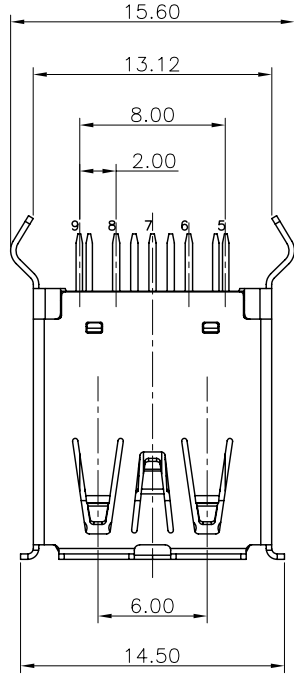
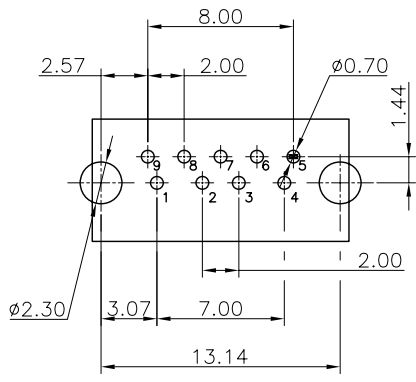
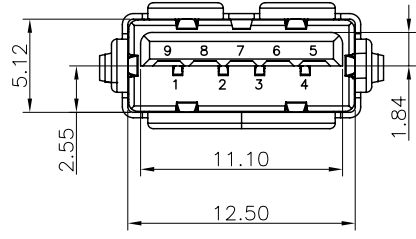


版次 REV.	变更号码 ECN.NO.	修改内容 MODIFY.CONTENT	修改日期 DATE
00		原始图面	06/03'11



NOTES:
 1.MATERIAL:
 1.1 HOUSING: HIGH TEMPERATURE THERAL PLASTIC,
 1.2 CONTACT: COPPER ALLOY.
 1.3 SHELL: COPPER ALLOY.
 2.FINISH:
 2.1 CONTACT: (SEE P/N.),50u" MIN. NICKEL UNDERPLATING OVER ALL.
 2.2 SHELL: 50u" MIN.NICKEL UNDERPLATING OVER ALL.
 3. P/N DESCRIPTION :SEE TABLE:
 1UF3 X X 004 R C X X
 (1) (2) (3) (4) (5)
 (1).41:FLASH.GOID ON CONTACT AREA/100μ" Min
 MATTE TIN ON SOIDER AREA.
 (2).R:ROHS
 (3).C: HOUSING COLOR-BLUE(300C)
 (4).X: PACKING-C: TARY.
 (5).X: "O"-WITHOUT"OWP"LOGO.

www.szjusun.cn



TOLERANCE: ±0.05,
 RECOMMENDED PCB LAYOUT
 (TOP VIEW)

PIN NO.	PIN 1	PIN 2	PIN 3	PIN 4
SLGAL NAME	V BUS	D-	D+	GND
REMARK	USB 2.0 CONTACT PINS			

PIN NO.	PIN 5	PIN 6	PIN 7	PIN 8	PIN 9
SLGAL NAME	STDA_SSRX-	STDA_SSRX+	GND_DRAIN	STDA_SSRX-	STDA_SSRX+
REMARK	USB 3.0 CONTACT PINS				

GENERAL TOLERANCE		图号 FILE.NO.	C1U110603-01	绘图 DRAWN	ARTHUR.XIE	比例 SCALE	
X.±0.25	x.°±5°	品名	USB 3.0, A TYPE, 90° DIP CONNECTOR.	审核 CHECKED		单位 UNITS	mm
.X±0.20	.x°±2°	TITLE	SEE TABLE	核准 APPROVED			
.XX±0.15	.xx°±1°	料号 PART.NO.		日期 DATE	06/03'11		
.XXX±0.05	.xxx°±0.5°	版次 REV.					
页次 SHEET	1/1	数量 QTY		00	钜赛实业(深圳)有限公司 JUSAI INDUSTRIAL (SHENZHEN) CO.,LTD		