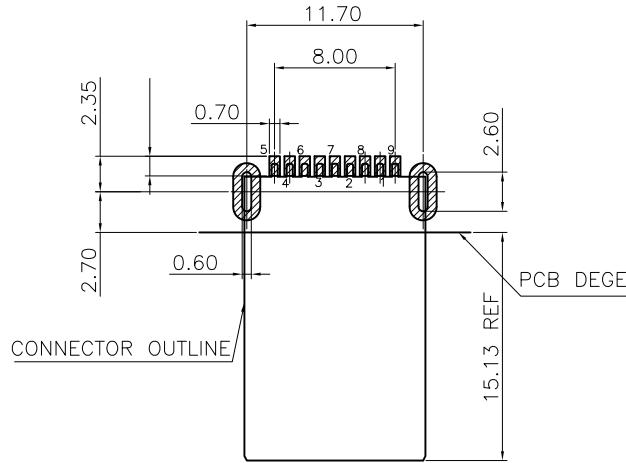
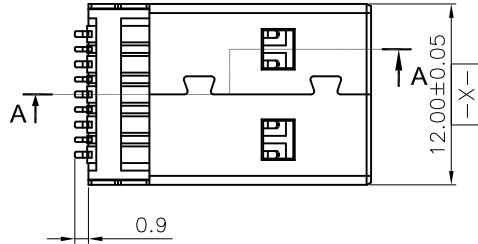
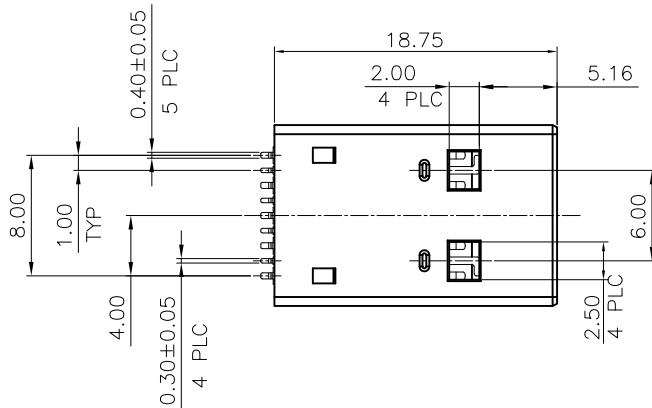
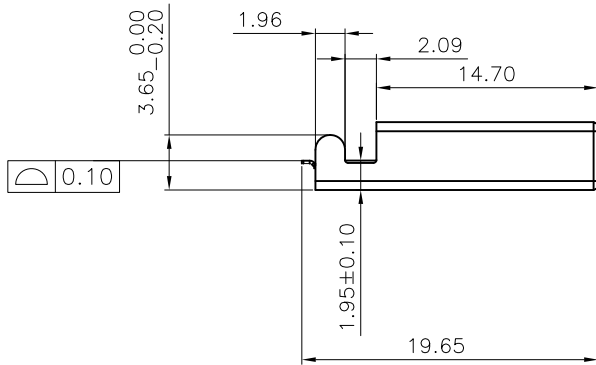
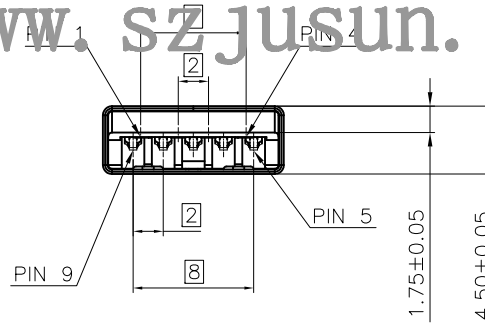


版次 REV.	变更号码 ECN.NO.	修改内容 MODIFY.CONTENT	修改日期 DATE
00		原始尺寸	1/3'13



TOLERANCE: ± 0.05 , THICKNESS: 1.2mm
RECOMMENDED PCB LAYOUT
(TOP VIEW)

www.szjusun.cn



NOTES:

1.MATERIAL:

1.1 HOUSING: HIGH TEMPERATURE THERAL PLASTIC,COLOR:(SEE P/N.)

1.2 CONTACT: COPPER ALLOY.

1.3 SHELL: METAL .

2.FINISH:

2.1 CONTACT: GOLD(SEE TABLE) PLATED ON CONTACT AREA,100 μ "MIN. MATTE-TIN ON SOLDER TAIL WITH ENTIRE ONTACT UNDERPLATED 50 μ " MIN. NICKEL.

2.2 SHELL: 50 μ " MIN. NICKEL OVER 100 μ "MIN. COPPER ON SHELL PLATED.

5. PART NUMBER DESCRIPTION :

1UM2 XX 021 X C X 0
(1) (3) (4) (5) (6)

(1). PLATING

41: GOLD FLASH ON CONTACT AREA

44: GOLD 15 μ " ON CONTACT AREA

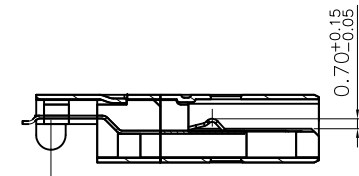
46: GOLD 30 μ " ON CONTACT AREA

(2). "G" :GP , "R"RoHS ...

(3). C: COLOR: "C" BLUE...

(4). PACKING: B=REEL WITHOUT CAP ;C=TRAY...

(5). X: LOGO: 0-WITHOUT LOGO ;...



SECTION A-A
1:1

GENERAL TOLERANCE		图号 FILE.NO.	C1U130103-01	绘图 DRAWN	Lear	比例 SCALE	
X. ± 0.25	x. $\pm 5^\circ$	品名 TITLE	USB 3.0 A PLUG SMT TYPE	审核 CHECKED		单位 UNITS	mm
.X ± 0.20	.x $\pm 2^\circ$	料号 PART.NO.	SEE TABLE	核准 APPROVED			
.XX ± 0.15	.xx $\pm 1^\circ$	版次 REV.		日期 DATE	1/3'13		
.XXX ± 0.05	.xxx $\pm 0.5^\circ$	数量 QTY					
页次 SHEET	1/1	数量 QTY		钜赛实业(深圳)有限公司 JUSAI INDUSTRIAL (SHENZHEN) CO.,LTD			