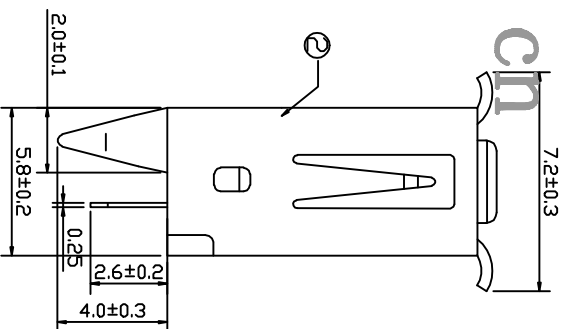
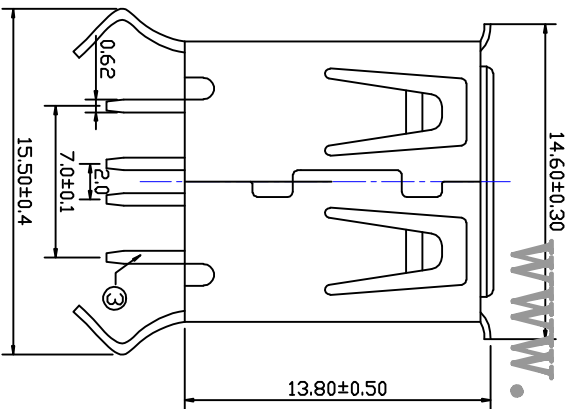


**P.C.B Layout**



www.szjusun.cn

序号	名称	DESCRIPTION	电镀
①	母胶芯	NYLON46, UL94V-0 WHITE	NONE
②	本体护盖	Brass(H) T=0.3±0.05mm	TIN PLATED
③	焊线端子	phosphor bronze T=0.25±0.05mm	TIN PLATED

		<b>巨赛实业(深圳)有限公司</b> JUSAI INDUSTRIAL (SHENZHEN) CO.,LTD		TITLE: <b>USB-4P 180度直插 (打K)</b>	
X ±	X' ±	MAT'L	USE:	PART NO.:	
X ± 0.30	X' ±				
XX ± 0.20	XX' ±	FINISH	APPD:	DWG NO.:	
XXX ±	XXX' ±		CHKD:		
	UNITS: mm	Q'TY	DR:	SCALE 1:1	SHEET 1/1
				REV. X1	