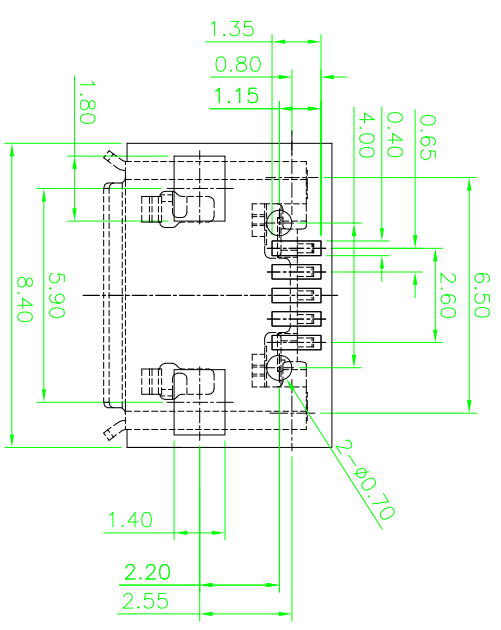
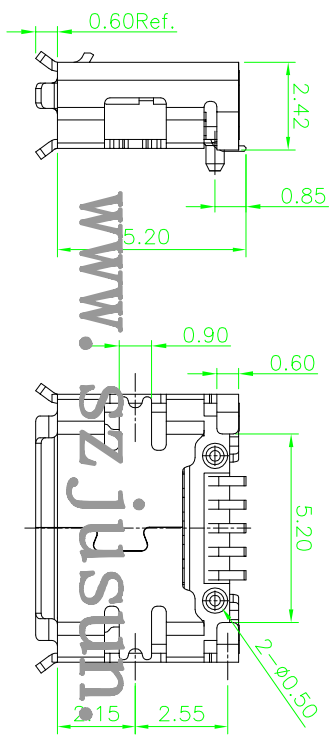
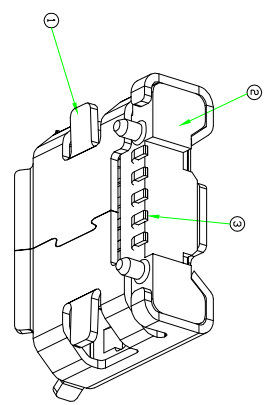
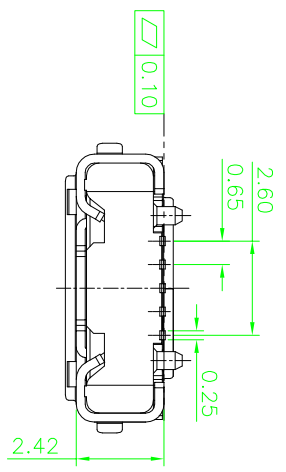
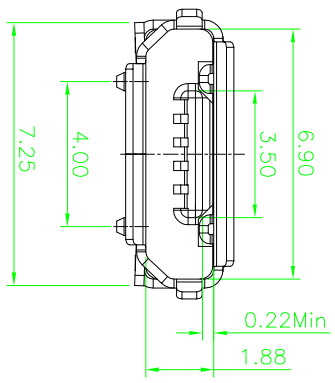


REV	DESCRIPTION	MARK
X1	First edition	



RECOMMENDED PCB LAYOUT
TOLERANCE:±0.05

www.szjusun.cn



- NOTES:
- SPECIFICATION:
 - CURRENT RATING: 1.0A MAX
 - VOLTAGE: 100 VAC
 - TEMPERATURE RANGE: -30 °C ~ 85 °C
 - CONTACT RESISTANCE: 30 MILLIONHM MAX
 - DIELECTRIC WITHSTANDING VOLTAGE: 200 VAC r.m.s
 - INSULATION RESINANCE: 100 MEGOHMS MIN.

Table A:

NO.	DESCRIPTION	MATERIAL	REMARKS	QTY
3	CONTACT	COPPER ALLOY T=0.15mm	Au/Ni Plated	1SET
2	HOUSING	High temperature plastic	BLACK	1PCS
1	SHELL	STAINLESS STEEL T=0.25mm	MATTE TIN/Ni Plated	1PCS

巨赛实业(深圳)有限公司 JUSAI INDUSTRIAL (SHENZHEN) CO.,LTD		PART NO.: MICRO USB 5P B型 SMT FEMALE	
X. ± X. ± 0.20 .XX ± 0.10 .XXX ±		MAT'L APPD: FINISH CHKD:	
X. ± X. ± 0.1* .XX ± 0.05* .XXX ±		CUS PART NO.: DATE 2018.01.22	
UNITS: mm		VERSION V1.0	
		SCALE 1:1	
QTY DR:		SHEET 1/1	
		REV. X1	