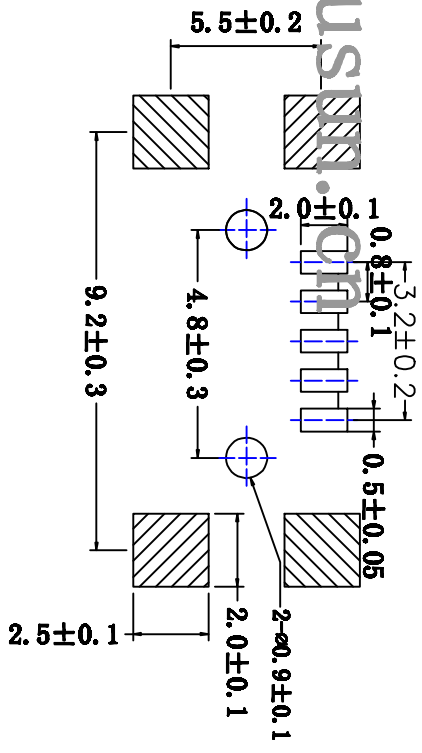
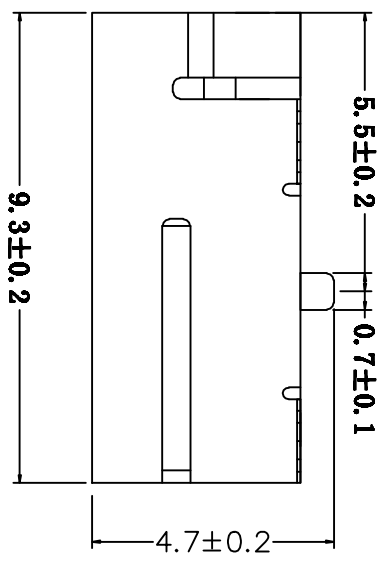
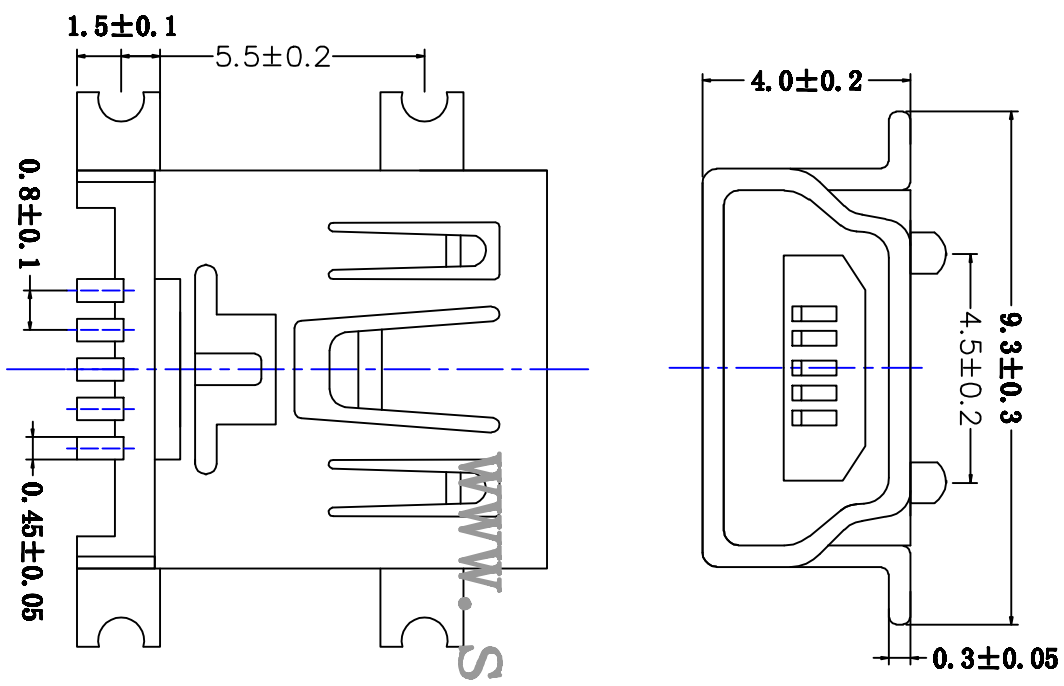


REV	DESCRIPTION	MARK
X1	first edition	



TITLE	NAME	DESCRIPTION	REMARKS
①	ROHSING	LCP, UL94V-0	BLACK
②	GRADE COVER	Brass (H) T=0.3±0.03mm	TIN PLATED
③	TERMINAL	phosphor bronze T=0.25±0.03mm	TIN PLATED

		<b>JUSON</b> 炬赛实业(深圳)有限公司 JUSAI INDUSTRIAL (SHENZHEN) CO.,LTD		PART NO.: MINI USB-5P SMT Female	
		I ± .I ± 0.20 .X ± 0.10 .XX ±	K' ± .K' ± 0.1° .KX ± 0.05° .KXX ±	MPT'L FINISH Q'TY	APPD: CHD: DR:
UNITS: mm		SCALE		SHEET 1/1	REV. X1