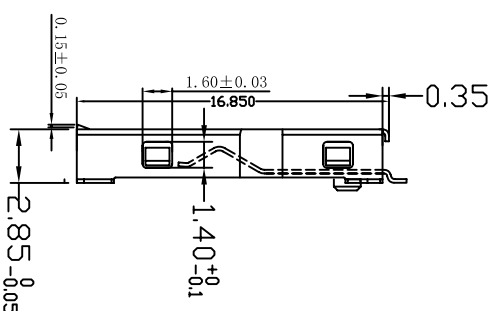
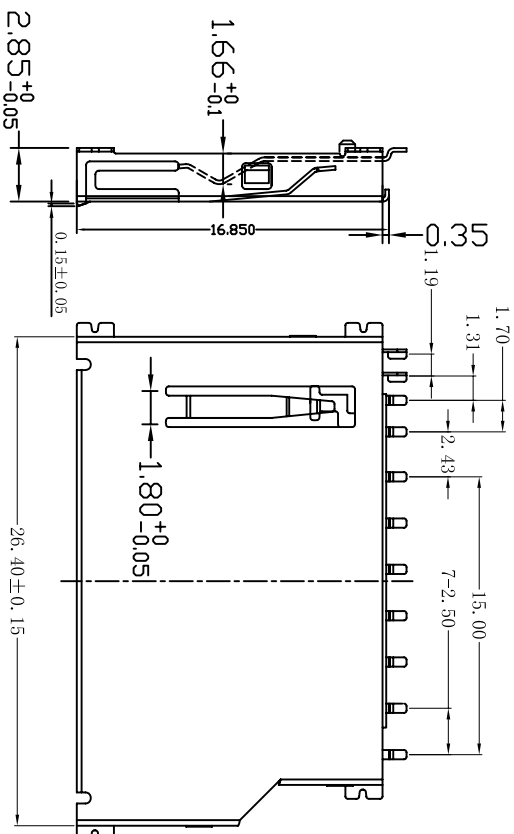
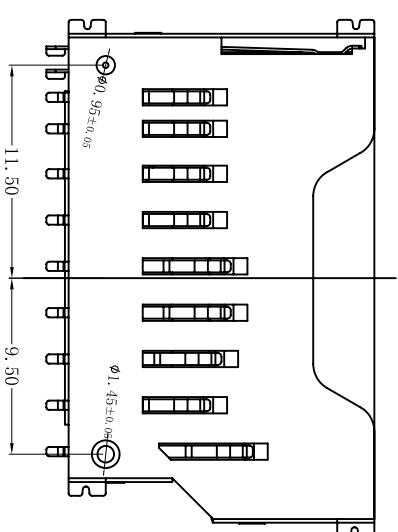
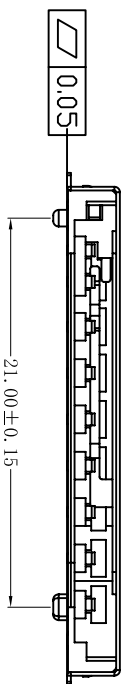


REV.	ECN NO.	LOCAS.	DESCRIPTION	DATE	DESIGN
A			RELEASE TO CUSTOMER	130205	HANG



www.szjusun.cn



RECOMMENDED P.C.B LAYOUT (TOP VIEW)

备注:

- SD竖开口端子: 磷铜C5191-H 镍底80-100U"
亮锡50U" 镀金区1U"
- 铁壳: 马口铁 (双面光料)
- 弹片: 磷铜C5191-H 镍底80-100U"
亮锡50U" 镀金区1U"
- 胶芯: LCP料 耐高温230-260°C

DIM	TOL	DIM	TOL
X	\pm 0.30	X°	\pm 4.0°
X.X	\pm 0.25	X.X°	\pm 3.0°
X.XX	\pm 0.20	X.XX°	\pm 2.0°
X.XXX	\pm 0.10	X.XXX°	\pm 1.0°

		炬赛实业 (深圳) 有限公司 JUSAI INDUSTRIAL (SHENZHEN) CO.,LTD	
		DRAW NO.: 050-000-0983	DATE: 130205
DESIGN: HANG	CHECK: HANG	DRAW NAME: SP Card Connector Short Type	P/N NO.: SP-050-000-0983
APPROVED: HUXX	DATE: 130205	UNIT: mm	SHEET: N/A
		MODEL:	REV. A
		SCALE:	N/A