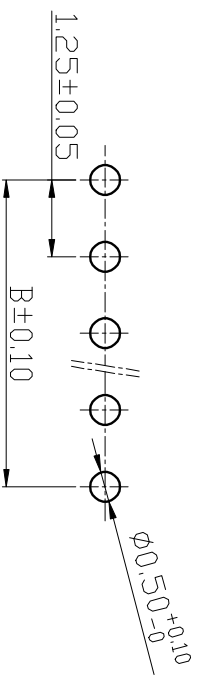
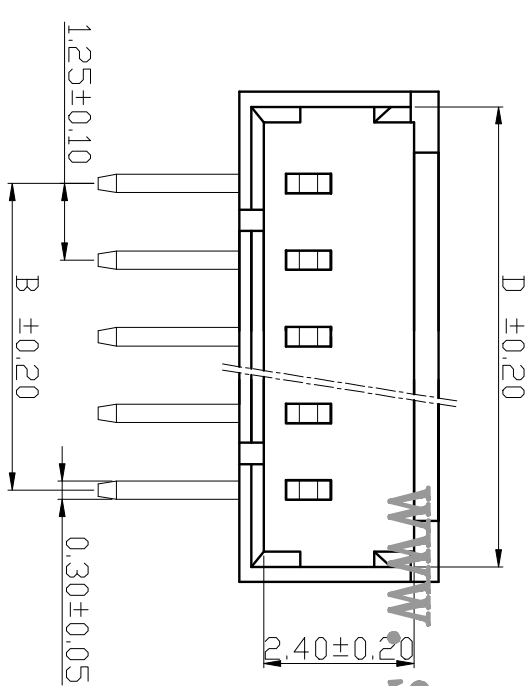
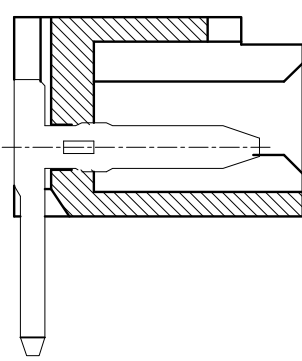
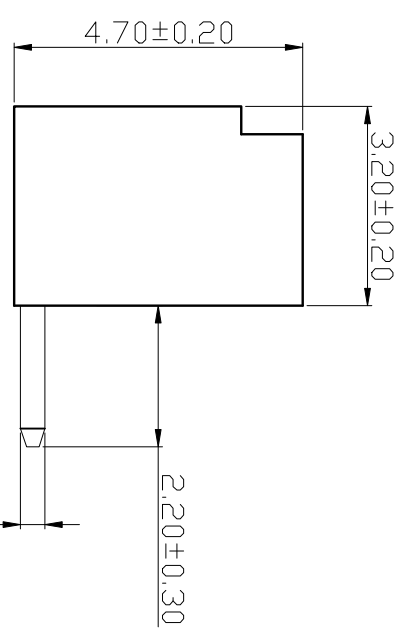
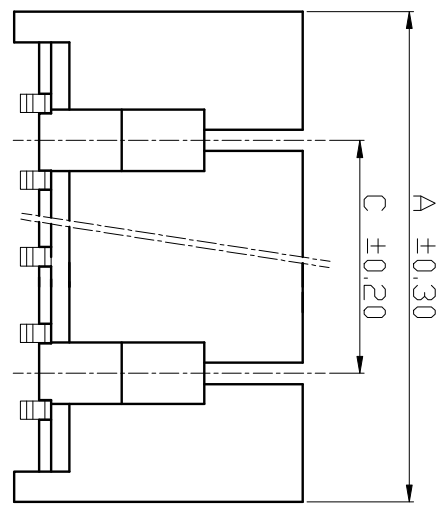


REV	DESCRIPTION	MARK
X1	first edition	



www.szjusun.cn

**SPECIFICATIONS:**

Current rating: 1.0A AC, DC;  
Voltage rating: 150V AC, DC;  
Withstand voltage: 500VAC/1minute;  
Contact resistance: 30mΩ Max;  
Insulation resistance: 500mΩ Min;  
Working temperature: -20℃~+85℃;  
**MATERIAL:**  
Housing: PA46, UL94V-0,  
Pin: Phosphor bronze Tin-Plated;

孔位	A	B	C	D
2	4.25	1.25	0.00	3.65
3	5.50	2.50	0.00	4.90
4	6.75	3.75	2.50	6.15
5	8.00	5.00	3.75	7.40
6	9.25	6.25	5.00	8.65
7	10.50	7.50	6.25	9.90
8	11.75	8.75	7.50	11.15
9	13.00	10.00	8.75	12.40
10	14.25	11.25	10.00	13.65
11	15.50	12.50	11.25	14.90
12	16.75	13.75	12.50	16.15
13	18.00	15.00	13.75	17.40
14	19.25	16.25	15.00	18.65
15	20.50	17.50	16.25	19.90

<b>JUSUN</b> 巨赛实业(深圳)有限公司		PART NO: 1.25T-1-NAV	
JUSAI INDUSTRIAL (SHENZHEN) CO.,LTD		CUS PART NO:	
X ±	X' ±	MAT'L	APPD:
X ± 0.20	X' ± 0.1*	∕	
XX ± 0.10	XX' ± 0.05*	FINISH	CHKD:
XXX ±	XXX' ±	∕	
UNIT'S: mm	UNIT'S: mm	Q'TY	DR:
DATE: 2016.04.03		SCALE: 1:1	SHEET: 1/1
VERSION: V1.0		REV.:	REV.:

