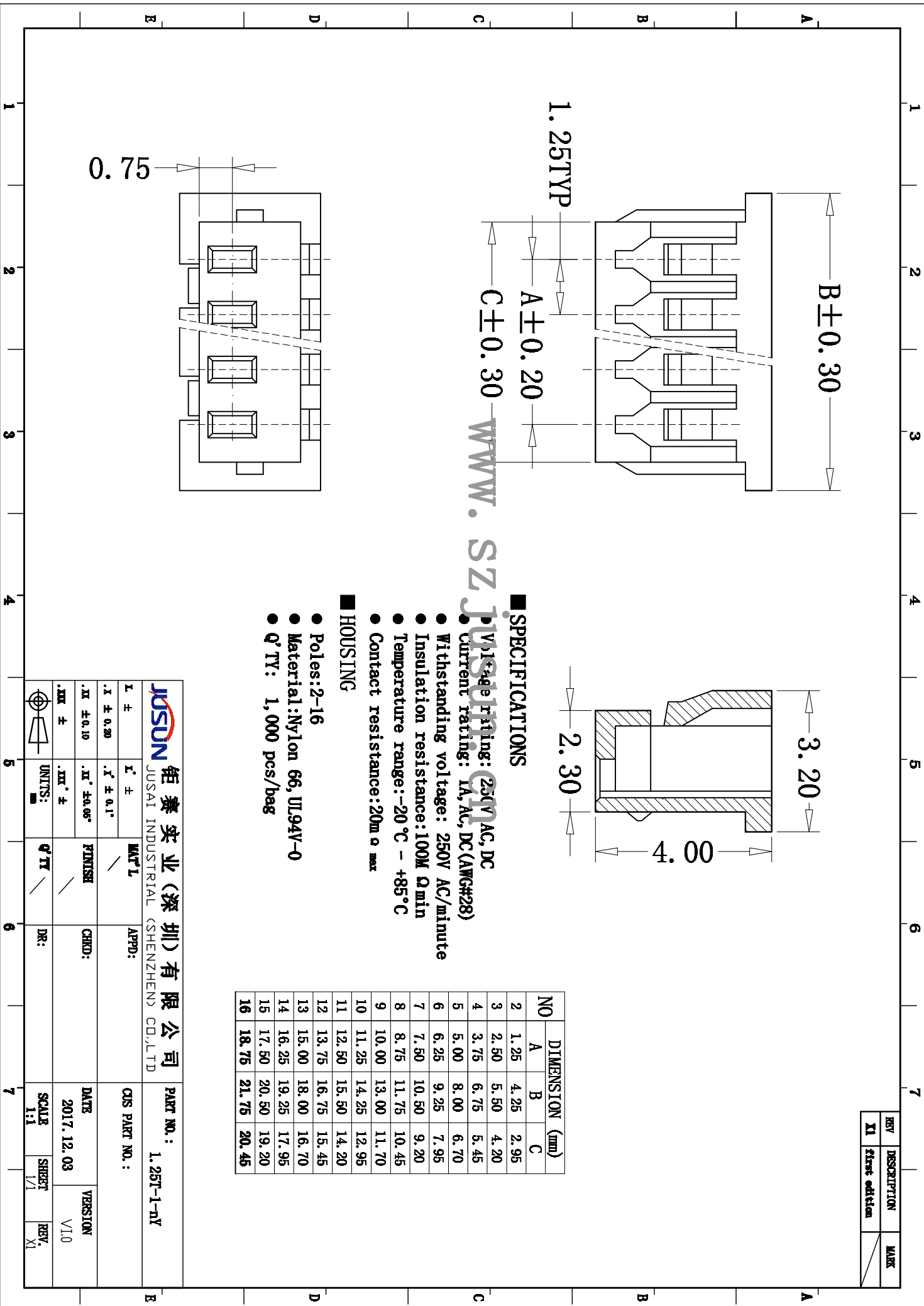
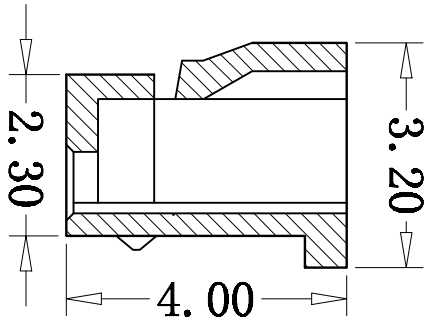


REV	DESCRIPTION	MARK
XI	First edition	



**SPECIFICATIONS**

- Voltage rating: 250V AC, DC
  - Current rating: 1A, AC, DC (AWG#28)
  - Withstanding voltage: 250V AC/minute
  - Insulation resistance: 100M  $\Omega$ min
  - Temperature range: -20 °C - +85 °C
  - Contact resistance: 20m  $\Omega$  max
- HOUSING
- Poles: 2-16
  - Material: Nylon 66, UL94V-0
  - Q'TY: 1,000 pcs/bag



NO	DIMENSION (mm)		
	A	B	C
2	1.25	4.25	2.95
3	2.50	5.50	4.20
4	3.75	6.75	5.45
5	5.00	8.00	6.70
6	6.25	9.25	7.95
7	7.50	10.50	9.20
8	8.75	11.75	10.45
9	10.00	13.00	11.70
10	11.25	14.25	12.95
11	12.50	15.50	14.20
12	13.75	16.75	15.45
13	15.00	18.00	16.70
14	16.25	19.25	17.95
15	17.50	20.50	19.20
16	18.75	21.75	20.45

<b>巨赛实业(深圳)有限公司</b> JUSAI INDUSTRIAL (SHENZHEN) CO.,LTD		<b>PART NO.:</b> 1.25T-1-ny <b>CIS PART NO.:</b>	
<b>L</b> ± .I ± 0.20 .X ± 0.10 .XX ±	<b>L'</b> ± .I' ± 0.1" .X' ± 0.05" .XX' ±	<b>MAT'L</b> / <b>FINISH</b> / <b>DR:</b>	<b>APPD:</b> / <b>CHD:</b> / <b>Q'TY</b> / <b>SCALE</b> 1:1
<b>DATE</b> 2017.12.03		<b>VERSION</b> V1.0	
<b>SHEET</b> 1/1		<b>REV.</b> XI	