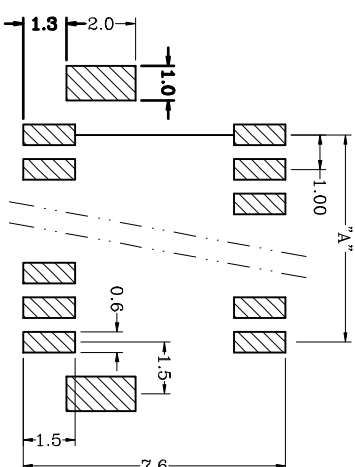
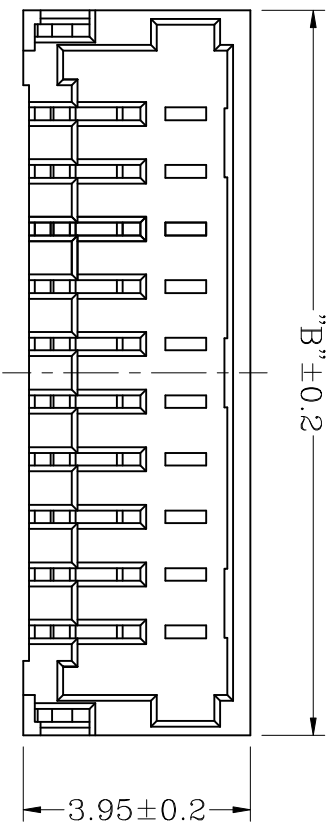
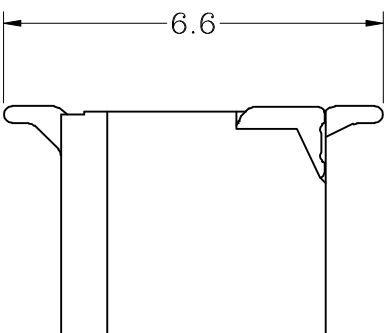
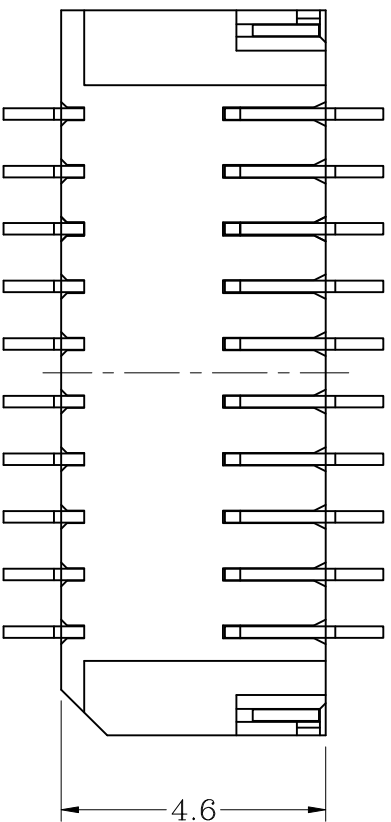


Poles	2x10	2x15	2x20	2x25
DIM.	9.00	14.00	19.00	24.00
DIM.A	12.6	17.6	22.6	27.6
DIM.B				



www.szjusun.cn

P.C.B LAYOUT



技术参数 SPECIFICATIONS

- ◆ 额定电压: AC, DC, 50V
Rated voltage: AC, DC, 50V
- ◆ 额定电流: 1.0A AC, DC
Rated Current: 1.0A AC, DC
- ◆ 耐压值: 500V AC/minute
Withstand voltage: 500V AC/minute
- ◆ 工作温度: -25° C ~ +85° C
Working Temperature: -25° C ~ +85° C
- ◆ 绝缘电阻: ≥100 MΩ
Insulation resistance: ≥100 MΩ
- ◆ 接触电阻: ≤20mΩ
Contact resistance: ≤20mΩ

材料 MATERIAL

- ◆ 塑胶: 尼龙9T (PA9T UL94-V0)
- ◆ PIN针: 磷青铜 (Phosphor Bronze)

包装方式 PACKAGE

- ◆ 编带包装 Tape and Reel Package
- ◆ 管装 Pipe Package
- ◆ 袋装 Bag Package

REV	DESCRIPTION	DATE
XI	first edition	

		鉅赛实业(深圳)有限公司 JUSAI INDUSTRIAL (SHENZHEN) CO.,LTD		标题: 1.0T-2KAAMB(3.95)	
USE: MAT'L FINISH	APPD: CHECKD: DR:	PART NO.:	DWG NO.:	SCALE 1:1	REV. XI
I ± 0.05 II ± 0.10 III ± 0.05	I ± II ± III ±	I ± II ± III ±	I ± II ± III ±	I ± II ± III ±	I ± II ± III ±
UNITS: mm	Q'TY	DR:	DR:	DR:	DR: