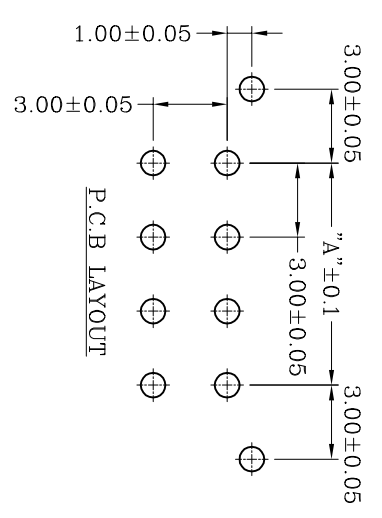


	2x1P	2x2P	2x3P	2x4P	2x5P	2x6P	2x7P	2x8P	2x9P	2x10P	2x11P	2x12P
DIM.A	-	3.00	6.00	9.00	12.00	15.00	18.00	21.00	24.00	27.00	30.00	33.00
DIM.B	6.65	9.65	12.65	15.65	18.65	21.65	24.65	27.65	30.65	33.65	36.65	39.65



P.C.B LAYOUT

■ 技术参数 SPECIFICATIONS

- ◆ 适用线规: AWG#24~#20
 - ◆ Applicable Wire: AWG#24~#20
 - ◆ 额定电压: 250V DC,AC(rms)
 - ◆ Rated voltage: 250V DC,AC(rms)
 - ◆ 额定电流: 5A (AWG #20)
 - ◆ Rated Current: 5A (AWG #20)
 - ◆ 耐压值: 1500V AC/minute
 - ◆ Withstand voltage: 1500V AC/min.
 - ◆ 工作温度: -25°C ~ +85°C
 - ◆ Working Temp : -25°C ~ +85°C
 - ◆ 绝缘电阻: ≥1000 MΩ
 - ◆ Insulation resistance: ≥1000 MΩ
 - ◆ 接触电阻: ≤10 mΩ
 - ◆ Contact resistance: ≤10 mΩ
- 材料 MATERIAL
- ◆ 绝缘体: 尼龙46, UL94-V0
 - ◆ Insulator: Nylon46, UL94-V0
 - ◆ 接触针: 黄铜
 - ◆ Contact PIN: Brass



旭森实业(深圳)有限公司
JUSAI INDUSTRIAL (SHENZHEN) CO.,LTD

GENERAL TOLERANCE

XX. ±0.40	
X. ±0.30	
.X ±0.25	X.° ± 2°
.XX ±0.15	.X° ± 1°

SCALE: 3.5:1

UNIT: mm

SIZE: A4

DRAWN:

CHECK:

APPROVE:

DATE: 2010.5.15

DATE: 2010.5.15

DATE: 2010.5.15

DWG. NO. : E:\DWG\Production\3001

PARTS NO. : 3001-2xNA

TITLE: 成品图

REV. A

SHEET: 1/1