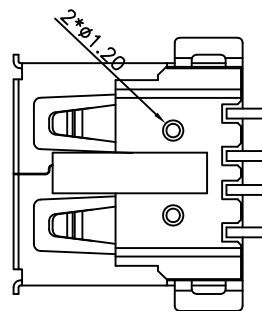
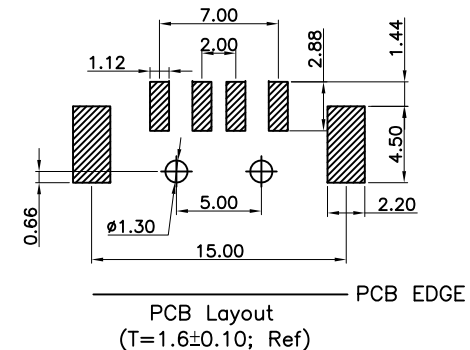
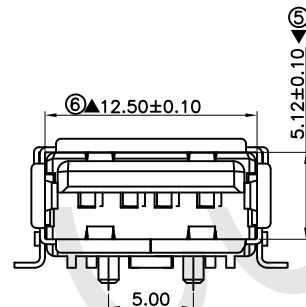
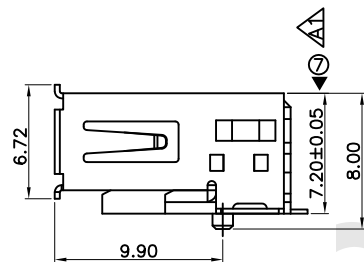


Specifications:  
 Current Rating:1.0A AC/DC  
 Voltage Rating:30V AC/DC  
 Contact Resistance:20m ohm. Max.  
 Insulation Resistance:1,000M ohm. min.  
 Withstanding Voltage:750V AC For One Minute  
 Operating Temperature Range:-40°C ~ +105°C  
 Material and Finish  
 Insulator: LCP UL94V-0  
 Contact:Phosphor Bronze  
 Plating:Gold Plated on Contact Area,  
 Tin Plated on Solder Tail.  
 Shell:Brass,Nickel Plated



A	RELEASED	2017\03\17	杨磊	WK
LTR (版本)	DESCRIPTION (变更内容描述)	DATE (日期)	DWN (绘图)	APVD (核准)
REVISIONS (修订)				

THIS DRAWING IS A CONTROLLED DOCUMENT. (此图为宇亮公司受控文件)		DWN (绘图) 杨磊	2017\03\17	东莞市宇亮电子有限公司 DONG GUAN YU LIANG ELECTRONICS CO., LTD
DIMENSIONS: (单位) mm		CHEK (审核) S. CHIEN	2017\03\17	
TOLERANCES UNLESS OTHERWISE SPECIFIED: (自由公差参照)		APVD (核准) Abel	2017\03\17	NAME (品名) USB AF SMT 全贴 塑胶带柱
THIRD ANGLE PROJECTION (第三视角)		PRODUCT SPEC (产品规范)		SIZE (尺寸) A4
		WEIGHT (产品重量)		DRAWING No. (图号) YL001-020
CUSTOMER DRAWING (业务图)			SCALE (比例) 1 : 1	SHEET (张数) 1 OF 1